

Contents

Preface	1
Introduction	1
The Owner's Handbook	1
Announcement	1
Symbols Used	2
Vehicle Identification Information	4
Vehicle Identification	4
Vehicle Identification Label.....	5
Instructions for Use of Electric Vehicle	7
Effects of Ambient Temperature.....	7
Instructions for High Voltage Battery Pack Recycling	7
Driving Range	8
Equalisation Charging	9
Intelligent Charging	9
Crash Outage Control	9
High Voltage System.....	10
Precautions in the Event of an Accident.....	12
1 Instruments and Controls	13

Instrument Pack	14
Message Centre	16
Warning Lights and Indicators	24
Lights and Switches	32
Master Light Switch.....	32
Headlamp Leveling Manual Adjustment.....	34
Direction Indicator/Main Beam Switch.....	35
Smart Main Beam System	36
Rear Fog Lamp	37
Hazard Warning Lamps	38
Wipers and Washers	39
Front Windscreen Wiper Operation	39
Rear Windscreen Wiper Operation	41
Steering System	43
Steering Wheel Position Adjustment	43
Electric Power Steering	43
Horn	45
Rearview Mirrors	46

Exterior Door Mirrors	46
Interior Rearview Mirror	48
Sunvisor.....	50
Window.....	51
Power Operated Window Switch	51
Window Operation	52
Interior Light	54
Front Interior Lamp	54
Rear Interior Lamp	54
Automatic Operation.....	54
Power Socket	56
Front Console Power Socket.....	56
Rear Console USB Charging Ports	57
Storage Devices	58
Instructions	58
Glove Box.....	58
Storage Box	59
Centre Console Armrest Box.....	60
Cup Holder	61

Centre Console Cup Holder	61
Rear Armrest and Rear Cup Holder	61
Roof Luggage Rack	62
Maximum Authorised Load for the Roof.....	62
Periodical Check.....	62
2 Air Conditioning	63
Ventilation.....	64
A/C filter	65
Vents	65
A/C Control Panel	67
Shortcut Key to A/C Interface	67
Defrost/Demist.....	67
Heated Rear Window	67
A/C On/Off Shortcut Key.....	68
3 Seats & Restraints.....	69
Seats.....	70
Overview	70
Head Restraints	70

Front Seats	71
Rear Seats	73
Seat Belts	74
Protection Provided by Seat Belts	75
Wearing Seat Belts	76
Children and Seat Belts	80
Seat Belt Pre-tensioners	81
Seat Belt Checks, Maintenance and Replacement.....	82
Airbag Supplementary Restraint System	84
Overview	84
Airbag Deployment.....	85
Conditions in Which Airbags Will Not Deploy	88
Disabling the Passenger Airbag.....	89
Service and Replacement of Airbags.....	91
Disposal of Airbags	92
Child Restraints	93
Important Safety Instructions about Using Child Restraints	93
Child Restraints Groups	95
Approved Child Restraint Positions	98

4 Starting & Driving	103
Keys	104
Overview	104
Replacing the Battery	105
Child Proof Locks	107
Anti-theft Systems	108
Power Immobilisation.....	108
Body Anti-theft System	108
Tailgate	112
Starting and Stopping the Power System	114
START/STOP Switch	114
READY Mode	115
Switching the Power System OFF.....	117
Pedestrian Alert System	118
Economical and Environmental Driving	119
Running-in.....	119
Economic Driving	119
Driving in Special Environment.....	120

Check and Service	121
Charging Requirements	122
Charging Your Vehicle at Home	124
Installed Charging Points	124
Home Charging Guide	124
Charging and Medical Condition Awareness.....	125
Charging Port.....	125
Electric Charging Identifier Label *	127
Rapid Charging	128
Slow Charging	129
Charging Information	132
Equalisation Charging	133
Charging Times	133
Discharging	136
Electric Drive Transmission.....	138
Instructions	138
Gear Shift Control	138
Driving Mode	141
Energy Regeneration	142

Protection Mode.....	144
Brake System.....	146
Overview	146
Parking Brake System-Electronic Parking Brake (EPB)	147
Service Brake System	149
Tyre Pressure Monitoring System (TPMS)	156
Parking Aid	158
Ultrasonic Sensor Parking Aid.....	158
360 Around View System	159
Adaptive Cruise Control System	161
Adaptive Cruise Control System Activation	161
Adaptive Cruise Target Speed Adjustment	164
Adaptive Cruise Target Following Distance Adjustment	164
Adaptive Cruise Pause/Standby	165
Automatic Deactivation of Adaptive Cruise	165
Adaptive Cruise Override	165
Adaptive Cruise Resume	165
Clear Speed Memory	166
Special Driving Environments	166

Driving Assist System	170
Description of Front View Camera	170
Description of Front Detection Radar	171
Lane Assist System	172
Traffic Jam Assist System	176
Load Carrying	179
Loadspace Loading	179
Internal Loading	179
5 Emergency Information	181
Emergency Starting	182
Vehicle Recovery	184
Towing Vehicle	184
Transporter or Trailer with Rope	187
Tyre Repair	188
Tool Identification	188
Tyre Repair	188
Fuse Replacement	191
Fuse	191

Fuse Box	191
Bulb Replacement	199
Bulb Specification	199
Bulb Replacement	199
6 Maintenance	209
Maintenance	210
Routine Servicing	210
Bonnet	213
Opening the Bonnet	213
Closing the Bonnet	213
Bonnet Open Alarm	213
Front Compartment	215
Cooling System	216
Coolant Check and Top Up - EDS	216
Coolant Check and Top Up - ESS	217
Coolant Specification	217
Brake	218
Brake Fluid Check and Top Up	218

Brake Fluid Specification	219
Battery	220
Battery Maintenance	220
Battery Replacement.....	220
High Voltage Battery Pack.....	222
Precautions and restricted conditions for use of battery	222
Washer.....	225
Windscreen Washer Fluid Check and Top Up	225
Washer Nozzles	226
Washer Fluid Specification	226
Wipers	227
Wiper Blades.....	227
Replacing Front Wiper Blades.....	228
Replacing Rear Wiper Blade	229
Tyre	230
Overview	230
Caring for Your Tyres	232
Tyre Wear Indicators	232
Replacement of Tyres	233

Wheel Fitment Rotation	233
Tyre/Snow Chains	235
Cleaning and Vehicle Care.....	236
External Car	236
Cleaning the Interior	239
7 Technical Data.....	241
Technical Data Dimensions	242
Weights.....	244
Dynamic Performance Parameters.....	245
Parameters of Traction Motor	246
Recommended Fluids and Capacities	247
Four-Wheel Alignment Parameter Table (Unladen).....	248
Wheels and Tyres	248
Tyre Pressure (Cold)	248

Preface

Introduction

The Owner's Handbook

Thank you for purchasing the product from MG Sales (Thailand) Co., Ltd. Please read this handbook carefully before use since the information in it may allow you to know how to operate your vehicle safely and properly, and enjoy your driving pleasure at maximum from it.

This handbook describes all of the vehicles and standard equipment specification within the model range.

This handbook includes the up-to-date product information available at the time of printing, and MG Sales (Thailand) Co., Ltd has the full authorities to take charge of the amendments, explanations and statements of this handbook. However, due to constant improvement and innovation of product quality, MG Sales (Thailand) Co., Ltd reserves the right to change products after printing the handbook without notice at any time.

The illustrations in the Owner's Handbook are for reference only.

The information presented in this manual may vary slightly depending on vehicle configuration, software version and sales area.

Announcement

The Owner's Handbook and Warranty and Maintenance Handbook introduces how to use your vehicle properly, precautions in use, and how to service and maintain your vehicle correctly. Meanwhile, they are intended to identify agreements between the company and owners on creation and termination for related product quality assurance liabilities as well as after sales service rights and duties. Please read the Owner's Handbook and Warranty and the Maintenance Handbook carefully before using any products of the company. Any damage resulting from misuse, negligence, wrong use or unauthorized modification may invalidate your right of claim.

Various countries and regions impose strict restrictions on vehicle modification and add-on. It is not allowed to change the vehicle structure, framework or features without approval, otherwise it will affect traffic safety, vehicle operation, vehicle registration or public security management. It will not only cause malfunction or reduce

Preface

performance of the related components, but also bring the harm and life-threatening risk to the driver and the passengers if parts of the vehicle are modified or altered without permission.

The Authorised Repairer in this handbook refers to the Authorised Repairer set up by MG Sales (Thailand) Co., Ltd.

No part of this publication may be reproduced, stored in a retrieval system or transmitted in the form of electronic, mechanical recording or other means without prior written permission from the company.

IMPORTANT

Please remember to transfer the Owner's Handbook and Warranty and Maintenance Handbook to the new owner when this vehicle is transferred, since these two handbooks are an indispensable part of the vehicle.

Symbols Used

Warning



This warning symbol identifies procedures that must be followed precisely, or information that must be considered with great care, in order to reduce the risk of personal injury or serious damage to the car.

Important

IMPORTANT

The statements stated here must be followed strictly, otherwise your car could be damaged.

Note

Note: *This describes helpful information.*



This symbol indicates parts described must be disposed of by authorised persons or bodies to protect the environment.

Asterisk

An asterisk (*) appearing within the text, identifies features or items of equipment that are either optional, or are only fitted to some vehicles in the model range.

Illustration Information



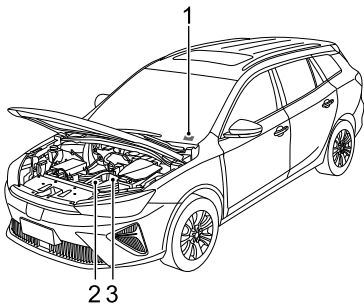
Identifies components being explained.



Identifies movement of components being explained.

Vehicle Identification Information

Vehicle Identification



- 1 Vehicle Identification Number (VIN)
- 2 Drive Motor Number
- 3 Electric Drive Transmission Number

Always quote the Vehicle Identification Number (VIN) when communicating with MG Authorised Repairer. If the drive motor or electric drive transmission is involved, it

may be required to provide the identification numbers of these assemblies.

Vehicle Identification Location

Vehicle Identification Number (VIN)

- On the floor under the driver's seat;
- On the identification plate;
- Stamped on a plate visible through the bottom right hand corner of the windscreen;
- On the inner side of the tailgate visible by opening the tailgate.

Note: The DLC is located in the driver footwell at the base of the fascia panel on the RH side. The VIN information can be extracted from the vehicle using the approved diagnostic equipment.

Drive Motor Number

Stamped on the lower part of the drive motor housing.

Electric Drive Transmission Number

Stamped on the upper part of the electric drive transmission housing.

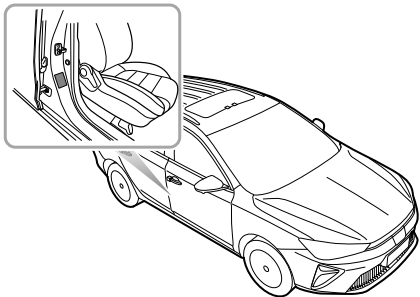
Vehicle Identification Label

The Vehicle Identification Label contains the following information:

- Model /Type;
- Vehicle Identification Number (VIN);
- Gross Vehicle Weight;
- Max Front Axle Weight;
- Max Rear Axle Weight;
- Paint Code;
- Trim Code.

Location of Vehicle Identification Label

The Vehicle Identification Label is located at the lower side of driver side B pillar.



Instructions for Use of Electric Vehicle

Effects of Ambient Temperature

The working performance of the high-voltage battery pack fitted to your vehicle is related to the ambient temperature, this battery powers the vehicle power system and therefore it is recommended that where possible the vehicle should be used within the temperature range of -15 to 45°C. This will ensure that the vehicle is at the optimum working state, and help extend the service life of high-voltage battery pack. Extremely high or low temperatures will affect the performance of high-voltage battery pack and vehicle.

Instructions for High Voltage Battery Pack Recycling

The high-voltage battery pack fitted to your vehicle contains several lithium based battery cells, it is installed centrally to the motor-vehicle chassis. Arbitrary disposal may cause pollution, hazard and damage to the environment. The high-voltage battery pack **MUST** be recycled by an MG Authorised Repairer or a professional

approved dismantling agent. Please refer to the following information and requirements.

- **ONLY** qualified personnel should work with the high voltage system - there is danger of DEATH.
- High voltage safety: the high voltage system fitted to your vehicle features a HV battery containing high voltage components such as lithium battery packs and high voltage wiring harness; **DO NOT** attempt to dismantle any area of this system, suitably trained professional staff must observe insulation safety protection before working on or near the high voltage system.
- Transportation: The high-voltage battery pack is listed in UN Dangerous Goods List with the number of UN3840, which must be transported by the vehicles qualified with relevant qualifications in each country.
- Storage: All HV components (including batteries) should be stored at room temperature and in a dry environment. They must be kept away from dangerous sources, such as flammable objects, heat and water sources.

Preface

- Internal composition: The high-voltage battery pack consists of lithium batteries (pack), PCB, HV and normal electric wiring, metal casing and other components.

It is strongly recommended that the used high-voltage battery pack generated from vehicle scrappage or any other reasons should be disposed of by an MG Authorised Repairer.

Note: If you decide not to use the recommended MG Authorised Repairer to dispose of your high voltage battery, the responsibility of the consequences of environmental pollution or accidents must be borne by the owner.

Driving Range

The driving range of your vehicle depends on the HV battery condition, quantity of available electricity, vehicle age (current remaining battery life), weather, temperature, road conditions and driving habit etc.

It should be noted that:

- The driving range is related to rate of discharge. In order to avoid a high rate of discharge from affecting the performance of the high-voltage battery pack, it is

recommended that the vehicle is connected to a suitable charger upon illumination of the low battery warning lamp in the instrument pack.

- The actual driving range of vehicle will reduce with the increase of vehicle age.
- The use of A/C will reduce the driving range.
- The driving range varies at different speeds.
- At low temperatures, the driving range will be reduced due to temperature characteristics of the battery during use.
- In some instances of extreme temperatures and low battery voltage, you may experience insufficient acceleration or power reduction, this is due to battery characteristics.

To help increase the range of the vehicle please observe the following:

- Have the vehicle regularly maintained as per service schedule.
- Always ensure the tyre pressures are correct.
- Try and use the vehicle between the recommended ambient temperatures.

Preface

- Do not park or store the vehicle for long periods with a low state of charge in winter, where possible charge the vehicle as soon as possible prior to storage.
- Remove unnecessary articles to reduce the vehicle load.
- Use of high power consuming systems such as A/C and heating will use large amounts of power, this will reduce the driving range.
- At a high speed, where possible, close the windows to reduce wind resistance and power consumption.
- Try to maintain a steady speed at all times, avoid constant acceleration and braking.
- During acceleration, apply the accelerator pedal as gently as possible.
- During deceleration, release the accelerator pedal; under certain conditions when not applying the brake or gently applying the brake, the energy regeneration system (KERS) will assist in charging the HV battery and extend the driving range.

Equalisation Charging

In order to assist in extending the service life of the high voltage battery pack is recommended that an equalisation charge is carried out at regular intervals.

Please see "Equalisation Charging" in the "Starting & Driving" section.

Intelligent Charging

The 12V battery SOC is constantly monitored, when the Start/Stop switch is in the OFF position it is possible, under certain conditions, that the HV battery will automatically charge the 12V battery to ensure the vehicle starts. This function will activate and switch off automatically.

Note: The system will suspend intelligent charging if a fault is present, when starting or the vehicle is being charged by an external device.

Note: The driving range will be reduced after intelligent charging.

Note: The intelligent charging function is suspended when the high voltage battery is in a low SOC.

Crash Outage Control

If a crash or serious impact occurs, a signal from the SDM (Airbag Control Module) will disconnect the relays within

the battery management system isolating the high voltage battery from the systems on the vehicle.

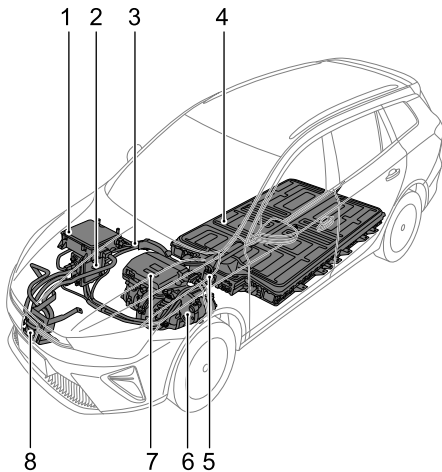
High Voltage System



- *The high voltage system used on your vehicle features AC and DC voltages up to 438V. All high voltage components have warning labels attached - please observe these warnings and any requirements when operating within or close to these areas.*
- *ONLY qualified personnel should work on, or with, the high voltage system - there is danger of DEATH.*

Preface

The high voltage system component layout is shown below:



- 1 Combined Charging Unit (CCU)
- 2 Power Distribution Unit (PDU)
- 3 High Voltage Harness
- 4 High Voltage Battery (ESS)
- 5 Manual Service Disconnect (MSD)
- 6 Electric A/C Compressor
- 7 Electric Drive Transmission
- 8 Charging Port

Precautions in the Event of an Accident



- *Ensure the vehicle is in P, the parking brake is applied and the vehicle power system is OFF.*
- *If any cables on the vehicle are exposed, in order to prevent electric shock or even death DO NOT make any contact with any cable.*
- *If the vehicle catches fire, and the fire is small and slow, a carbon dioxide extinguisher can be used to extinguish the fire, and contact the fire services as soon as possible; if the fire is large and spreading quickly, immediately evacuate the vehicle and contact the fire services immediately.*
- *If the vehicle is involved in a collision and cannot be re-started, the Manual Service Disconnect (MSD) MUST be disconnected prior to rescue.*
- *When the vehicle is completely or partially immersed in water, switch off the vehicle power system and evacuate the car immediately. The Manual Service Disconnect (MSD) MUST be disconnected prior to rescue or as soon as the vehicle is refloated/removed from the water. Observe the water/vehicle for any abnormal signs such as excessive bubbles or noises, this may indicate battery short circuit issues, if no signs are evident there should not be a shock risk from the bodywork and recovery can commence.*
- *If your car is being recovered by an independent recovery agent, please contact MG Authorised Repairer for guidance.*
- *The vehicle is supplied with an emergency response information card. Please show the card to the rescue personnel when they arrive.*

Instruments and Controls

14 *Instrument Pack*

16 *Message Centre*

24 *Warning Lights and Indicators*

32 *Lights and Switches*

39 *Wipers and Washers*

43 *Steering System*

45 *Horn*

46 *Rearview Mirrors*

50 *Sunvisor*

51 *Window*

54 *Interior Light*

56 *Power Socket*

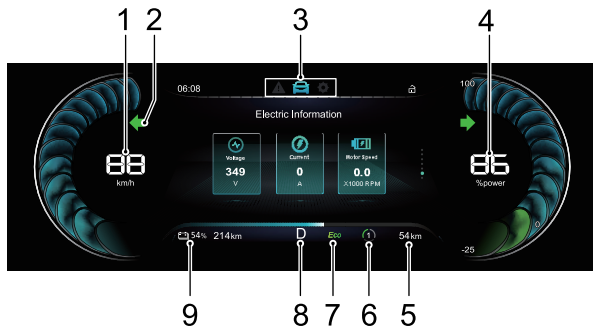
58 *Storage Devices*

61 *Cup Holder*

62 *Roof Luggage Rack*

Instruments and Controls

Instrument Pack



- 1 Speedometer
- 2 Warning Lights and Indicators
- 3 Message Centre
- 4 Power Meter
- 5 Odometer
- 6 Energy Regeneration Level
- 7 Driving Mode
- 8 Gear Display
- 9 Electricity Meter and Electricity Driving Range to Empty

Speedometer

Indicates the vehicle speed in km/h.

Warning Lights and Indicators

Please refer to "Warning Lights and Indicators" in this chapter.

Message Centre

Please refer to "Message Centre" in this chapter.

Power Meter

Indicates the power status of the power drive system as a percentage. If the power is displayed as a positive value, it represents that the power system outputs power to drive the vehicle; If the power is displayed as a negative value, it represents that the power system converts part of the kinetic energy into electrical energy

Odometer

Displays the total distance the vehicle has travelled.

Energy Regeneration Level

Displays the current energy regeneration level of the vehicle. For more information, please refer to "Energy Regeneration" in "Starting & Driving" section.

Driving Mode

Displays the current driving mode of the vehicle. For more information, please refer to "Driving Mode" in "Starting & Driving" section.

Gear Display

Displays the current gear position of the electric drive transmission. For more information, please refer to "Electric Drive Transmission" in "Starting & Driving" section.

Electricity Meter and Electricity Driving Range to Empty

Displays the current level of high voltage battery charge as a percentage and the remaining range of the vehicle before the high voltage battery becomes flat.

Instruments and Controls

Message Centre

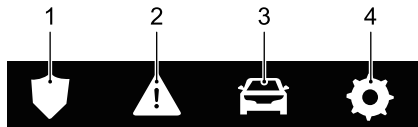
With the START/STOP Switch in the ON/READY position, the vehicle information display function can be selected as follows:



- Press the UP/DOWN/LEFT/RIGHT button in the RH steering wheel multifunction switch pack, this will access and display the general information options.
- Press the UP/DOWN button in the RH steering wheel multifunction switch pack to scroll through the options.

- Press the OK button in the RH steering wheel multifunction switch pack to confirm your option selection or long press the OK button to reset.

The message centre provides the following information:



- 1 Active Safety
- 2 Warning Information
- 3 Trip Computer
- 4 Setting

Active Safety

Displays the active safety information of the vehicle.

For more information, please refer to “Adaptive Cruise Control System” and “Driving Assist System” in “Starting & Driving” section.

Warning Information

Displays any warning information or important notes that are currently relevant to the vehicle.

Trip Computer

The trip computer function contains the following:

- Default Page
- Current Journey: displays the range, duration, average speed and average consumption since start up. These values will be reset after a period of power off. It can be reset by long pressing the "OK" button in the RH steering wheel multifunction switch pack.
- Accumulated Total: displays the range, duration, average speed and average consumption since reset. It can be reset by long pressing the "OK" button in the RH steering wheel multifunction switch pack.
- Energy Flow
- Tyre Pressure: Displays the current tyre pressures and temperatures.
- Electric Information: displays the current operation state of the vehicle, including the voltage, current and motor speed.

- 12V Battery: displays the 12V Battery information.

Setting

OverSpeed Threshold

Allows the setting of the over-speed alarm threshold, please note, the over-speed alarm function is turned off when "OFF" is displayed.

Luminance Level

Displays the current level and allows adjustment of the backlight brightness.

Next Service

Displays the current vehicle maintenance information.

Warning Message

Warning messages and prompts are displayed in the information message centre in the instrument pack. Any communications are displayed in 'pop up' messages, these can be divided into the following categories:

- Operation Instruction
- System State Instruction

Instruments and Controls

- System Malfunction Alert

Please follow the instructions displayed in the 'pop up' message or in the case of a warning message, please refer to the relevant section of the owners manual to follow the correct instructions.

The following are a selection of warning messages that may appear in the information message centre.

Warning Message	Action
12V Battery Charging System Fault	Indicates that the 12V battery charging system has detected a fault. Please contact an MG Authorised Repairer immediately.
Ignition System Fault	Indicates that the power mode has detected a fault. Please contact an MG Authorised Repairer immediately.
Start Stop Button Fault	Indicates that the START/STOP Switch has detected a fault. Please contact an MG Authorised Repairer immediately.

Warning Message	Action
Passive Entry Fault	Indicates that the passive keyless entry function has detected a fault. Please contact an MG Authorised Repairer as soon as possible.
ABS Fault	Indicates that the anti-lock brake system (ABS) has detected a fault. and the ABS function is about to be disabled. Please contact an MG Authorised Repairer immediately.

Instruments and Controls

1

Warning Message	Action
Brake Fault	Indicates that a fault has been detected within the braking system, such as brake fluid low/loss or Electronic Brake-force distribution failure has occurred, stop the vehicle as soon as safety permits switch the vehicle power system OFF, check the brake fluid level and contact an MG Authorised Repairer immediately.
iBooster System Fault	Please slow down, stop the vehicle as soon as safety permits and contact an MG Authorised Repairer immediately.
Stability Control Fault	Indicates that the dynamic stability control system (SCS) has detected a fault. Please contact an MG Authorised Repairer immediately.

Warning Message	Action
Traction Control Fault	Indicates that the traction control system (TCS) has detected a fault. Please contact an MG Authorised Repairer immediately.
Park Brake Force Not Enough	Indicates that the electronic parking brake system has detected a fault when parking. Please contact an MG Authorised Repairer as soon as possible.
Autohold Fault	Indicates that the auto hold function has detected a fault. Please contact an MG Authorised Repairer as soon as possible.

Instruments and Controls

Warning Message	Action
EPS Performance Reduced	Indicates that the electric power steering system (EPS) has a general failure and the performance is reduced. As soon as conditions permit, safely stop the vehicle and switch the vehicle power system to the OFF position. After a short while, switch the vehicle power system to the READY position, drive the vehicle a short distance and monitor the operation of the steering, if the message is still displayed or the steering assistance reduced please contact an MG Authorised Repairer immediately.

Warning Message	Action
EPS Assistance Failure	Indicates that the electric power steering system (EPS) has failed. Please contact an MG Authorised Repairer immediately.
Steering Angle Fault	Indicates that the steering angle sensor has failed. Please contact an MG Authorised Repairer as soon as possible.
Steering Angle Uncalibrated	Indicates that the steering angle sensor is not calibrated. Please contact an MG Authorised Repairer as soon as possible.
ESCL Fault	Indicates that the ESCL system has detected a fault. Stop the car as soon as safety permits, shut down the engine and contact an MG Authorised Repairer immediately.

Instruments and Controls

Warning Message	Action
Airbag Fault	Indicates that the SDM has detected a fault. As soon as conditions permit, safely stop the vehicle and switch the vehicle power system to the OFF position and contact an MG Authorised Repairer immediately.
TPMS Fault	Indicates that the tyre pressure monitoring system (TPMS) has detected a fault. Please contact an MG Authorised Repairer as soon as possible.
Front Left/Front Right/Rear Left/Rear Right Tyre Sensor Battery Low	Indicates that the TPMS has detected a sensor has a low battery. Please contact an MG Authorised Repairer as soon as possible.

Warning Message	Action
Pedestrian Alert System Fault	Indicates that the pedestrian alert system has detected a fault. Please contact an MG Authorised Repairer as soon as possible.
Parking System Fault	Indicates that the parking system has detected a fault. Please contact an MG Authorised Repairer as soon as possible.
Vehicle Control System Fault, Please ask Serving Station for Help	Indicates that the vehicle control system has detected a fault. Please contact an MG Authorised Repairer as soon as possible.
Vehicle Control System Fault, Please drive carefully	Indicates that the vehicle control system has detected a fault and power is limited. Please contact an MG Authorised Repairer immediately.

Instruments and Controls

Warning Message	Action
Vehicle Control System Fault, Please Stop Safely	Indicates that the vehicle control system has detected a severe fault. Stop the car as soon as safety permits, shut down the engine and contact an MG Authorised Repairer immediately.
Motor Overheating	Indicates that the motor has overheated. Please contact an MG Authorised Repairer as soon as possible.
EDU Coolant Overheating	Indicates that the EDS coolant has overheated. Please contact an MG Authorised Repairer as soon as possible.

Warning Message	Action
Motor Fault	Indicates that the drive motor has detected a fault. As soon as conditions permit, safely stop the vehicle and switch the vehicle power system to the OFF position and contact an MG Authorised Repairer immediately.
ESS-PTC Fault, Repair Please	Please contact an MG Authorised Repairer as soon as possible.
DANGER! Evacuate Vehicle Safely!	As soon as conditions permit, safely stop the vehicle and evacuate all occupants immediately, and contact an MG Authorised Repairer immediately.
Escape from the vehicle immediately!	As soon as conditions permit, safely stop the vehicle and evacuate all occupants immediately, and contact an MG Authorised Repairer immediately.

Instruments and Controls

1

Warning Message	Action
Front Camera System Fault	It indicates that the front camera has detected a fault. Please contact an MG Authorised Repairer as soon as possible.
Front Camera Calibration Failed	Indicates that the front view camera module (FVCM) calibration has failed. Please contact an MG Authorised Repairer as soon as possible.
RADAR Calibration Failed	Indicates that the radar module calibration has failed. Please contact an MG Authorised Repairer as soon as possible.
Lane Departure Warning System Fault	Indicates that the lane departure warning system (LDW) has detected a fault. Please contact an MG Authorised Repairer as soon as possible.

Warning Message	Action
Lane Keep Assist System Fault	Indicates that the lane keep assist system (LKA) has detected a fault. Please contact an MG Authorised Repairer as soon as possible.
MG Pilot System Fault	Indicates that the MG pilot system has detected a fault. Please contact an MG Authorised Repairer as soon as possible.
ACC System Fault	Indicates that the adaptive cruise control system (ACC) has detected a fault. Please contact an MG Authorised Repairer as soon as possible.

Warning Lights and Indicators

Some warning lamps illuminate or flash accompanied by a warning tone. Certain warning lamps will be accompanied by a momentary warning symbol and text message displayed in the information centre in the instrument pack.

Main Beam Indicator - Blue



This indicator illuminates when the headlamp high beam is turned on.

Auto Main Beam Indicator - Green



The indicator illuminates when the auto main beam function is enabled.

Dipped Beam Indicator - Green



This indicator illuminates when the headlamp dipped beam is turned on.

Side Lamp Indicator - Green



This indicator illuminates when the side lamps are on.

Rear Fog Lamp Indicator - Yellow



This indicator illuminates when the rear fog lamps are on.

Direction Indicators - Green



The left and right direction indicator lamps are represented by directional arrows that are located at the top of the instrument pack. When the turning signal lamp flashes, the direction indicator lamp on the corresponding side also flashes. If the hazard warning lamps are operated, both direction indicator lamps will flash together. If either direction indicator lamp in the instrument pack flashes very rapidly, it indicates that the turning signal light on the corresponding side has failed.

Note: Failure of a side repeater lamp will have no effect on the flash frequency of direction indicator lamp.

Airbag Warning - Red



If this lamp illuminates, it indicates that the SRS or the seat belt has failed. As soon as conditions permit, safely stop the vehicle and switch the vehicle power system to the OFF position and contact an MG Authorised Repairer immediately. An SRS or seat belt fault may mean the components may not be deployed in the event of an accident.

Seat Belt Unfastened Warning Lamp - Red



If this lamp illuminates or flashes, it indicates that the seat belt for the driver or passenger remains unfastened.

Low-voltage Battery Charging System

Malfunction Warning - Red



If this lamp illuminates after starting the vehicle, it indicates that the 12v battery charging system has failed. Please contact an MG Authorised Repairer immediately.

If the battery power is low, this lamp flashes and a prompt message appears in the information centre. In this case, the system will restrict or turn off some electrical devices, please ensure the vehicle power system is in READY mode to charge the battery.

Tyre Pressure Monitoring System (TPMS)

Warning - Yellow



If this warning lamp illuminates it indicates that a tyre pressure is low, please check the tyre pressures.

If this lamp flashes first and then remains illuminated after a period of time, it indicates the system has detected a fault. Please contact an MG Authorised Repairer as soon as possible.

Instruments and Controls

Stability Control/Traction Control System

Operation and Fault Warning - Yellow



If this lamp illuminates, it indicates that the stability control system/traction control system has detected a fault. Please contact an MG Authorised Repairer immediately.

If this lamp flashes while driving, it indicates that the system is operating to assist the driver.

Stability Control/Traction Control System OFF

Warning - Yellow



If the stability control system/traction control system is switched off manually, this warning lamp will illuminate.

ABS Warning - Yellow



If this lamp illuminates, it indicates that the ABS has detected a fault. Please contact an MG Authorised Repairer immediately.

If an ABS failure occurs while driving, the ABS function will be disabled while normal braking will still be available. Please contact an MG Authorised Repairer immediately.

Booster System / Brake System Warning -

Yellow/Red



If the booster system detects a fault, this lamp illuminates yellow, please slow down, stop the vehicle as soon as safety permits and contact an MG Authorised Repairer immediately.

If the booster system or brake system suffers a serious failure, or the brake fluid level drops below the minimum level, this lamp illuminates red, stop the vehicle as soon as safety permits, turn off the START/STOP Switch and contact an MG Authorised Repairer immediately.

Electric Power Steering (EPS)/ Electric Steering Column Lock (ESCL) Warning - Yellow/Red



The warning lamp is used to indicate electric power assisted steering failure or electronic steering column lock failure.

If this lamp illuminates yellow, it indicates the electric power assisted steering system has a general failure and the performance is reduced. Please stop the car as soon as safety permits. If the lamp still illuminates after restarting the vehicle and driving for a short while, please contact an MG Authorised Repairer immediately.

If this lamp illuminates red, it indicates the electric power assisted steering system has a general failure relevant to steering angle sensing. Please contact an MG Authorised Repairer as soon as possible.

If this lamp illuminates red and flashes, it indicates the electric power assisted steering system has a severe failure. Please contact an MG Authorised Repairer immediately.

If the lamp illuminates yellow and continually flashes accompanied with an audible warning, it indicates the

electric steering column lock has detected a fault or failed. Please contact an MG Authorised Repairer as soon as possible. If this lamp extinguishes after flashing for a while, it indicates that the steering wheel is locked, please attempt to rotate the steering wheel to remove any adverse loads.

Immobiliser System Warning - Red



If no valid key is detected, this lamp will illuminate red. Please use the correct key, or put the smart key at the bottom of the centre console cup holder. For specific location requirements, refer to "Alternative Starting Procedure" in "Starting & Driving" section.

If remote key battery is low, this lamp flashes, please replace the battery as soon as possible.

Electronic Parking Brake (EPB)/ Auto Hold Status Indicator - Red/Green



If this lamp illuminates red, it indicates the EPB system is enabled. If this lamp flashes, it indicates that

Instruments and Controls

the vehicle is parked on an excessive slope or the EPB system has failed. Please park on a safe road. If the lamp continues to flash and the electronic parking brake system malfunction warning lamp illuminates at the same time, please contact an MG Authorised Repairer as soon as possible.

When the auto hold system is operating to assist the driver, this lamp illuminates green.

Electronic Parking Brake (EPB) System

Malfunction Warning - Yellow



If an EPB system failure is detected or the system is under diagnosis, this lamp will illuminate. Please contact an MG Authorised Repairer as soon as possible.

READY Indicator - Green



This lamp is used to indicate that the vehicle is ready for driving.

Charging Status Indicator - Yellow



This lamp will illuminate when the vehicle is connected to a charge point, it will extinguish after charging is completed.

Charging Connection Indicator - Red



This lamp will illuminate when the vehicle is connected to a charge point.

Power System Malfunction Warning -

Yellow/Red



If this lamp illuminates yellow, it indicates that the vehicle has detected a fault and power is limited. Please contact an MG Authorised Repairer as soon as possible.

If this lamp illuminates red, it indicates that the vehicle has detected a severe fault. Please stop the vehicle as soon as safety permits, turn off the START/STOP Switch and contact an MG Authorised Repairer immediately.

Motor Overheat Warning - Red



This lamp will illuminate if the motor temperature is too high. Please contact an MG Authorised Repairer as soon as possible.

Motor Malfunction Warning - Red



If a fault or failure is detected in the motor or the power electronic box of electric drive system, this lamp will illuminate. Please stop the vehicle as soon as safety permits, turn off the START/STOP Switch and contact an MG Authorised Repairer immediately.

High-voltage Battery Pack Low Battery

Warning - Yellow



This lamp will illuminate when the high voltage battery charge is low, if the voltage continues to drop, this lamp will flash. Where possible please charge the high voltage battery before this lamp enters the flashing stage.

High-voltage Battery Pack Disconnection

Warning - Yellow



When the high-voltage battery pack is connected, this lamp will not illuminate. This lamp will only illuminate when the high voltage battery is disconnected or isolated.

High-voltage Battery Pack Malfunction

Warning - Red



This lamp will illuminate if a fault is detected or the high voltage battery fails. Please contact an MG Authorised Repairer immediately.

This lamp will flash if the high voltage battery temperature is too high. Please stop the car as soon as safety permits, switch the vehicle power system to the OFF position, and leave the vehicle immediately. Contact an MG Authorised Repairer at the earliest opportunity.

If a high-voltage battery pack relay adhesion failure is recorded, this lamp flashes. Please contact an MG Authorised Repairer as soon as possible.

Driving Power Limited Warning - Yellow



This lamp will illuminate if the vehicle power has been reduced.

Lane Assist System Indicator - Green/Yellow



This lamp will illuminate yellow when the lane departure warning function is enabled, the lamp will extinguish when the function is disabled. This lamp will illuminate green when the function is activated.



This lamp will illuminate yellow when the lane departure prevention function or lane keeping assist function is enabled, the lamp will extinguish when the function is disabled. This lamp will illuminate green when the function is activated.

If the Lane Assist System is not able to function normally, the corresponding lamp will flash yellow and then remain on after a period of time. Should this warning persist, please contact an MG Authorised Repairer.

For more information, please refer to “Lane Assist System” in “Starting & Driving” section.

MG Pilot System Indicator - Green/Yellow



This lamp will illuminate yellow when the MG Pilot function is enabled, the lamp will extinguish when the function is disabled.

This lamp illuminates green when the MG Pilot function is activated.

If the MG Pilot System is not able to function normally the lamp will flash yellow and then remain on after a period of time. Should this warning persist, please contact an MG Authorised Repairer.

For more information, please refer to “MG Pilot System” in “Starting & Driving” section.

Adaptive Cruise Control System Indicator - Yellow/Green



If the Adaptive Cruise function is enabled, the Adaptive Cruise Control System will enter the standby state, the lamp illuminates yellow.

When the Adaptive Cruise Control System operates, the lamp will illuminate green, this indicates that the Adaptive Cruise Control System is activated.

Adaptive Cruise Control System Malfunction Indicator Lamp - Yellow



This lamp will illuminate if a Adaptive Cruise Control System failure is detected. Please contact an MG Authorised Repairer as soon as possible.

System Fault Messages Indicator - Yellow

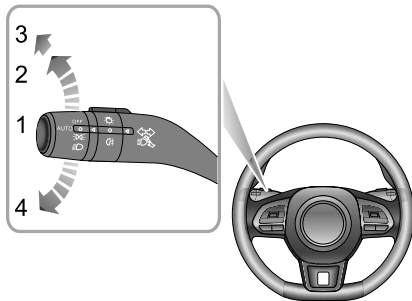


This indicator is used to alert the driver of a stored warning. Please refer to "Message Centre" in this section for these failures.

Note: There are some circumstances where a warning light may illuminate or a warning message is displayed as an indication of an issue with the associated system, this does not necessarily indicate a fault. If in doubt, please seek advice from an MG Authorised Repairer.

Lights and Switches

Master Light Switch



- 1 AUTO Lamp
- 2 Side Lamp and Switch Illumination
- 3 Dipped Headlamps
- 4 Lamps Off

AUTO Lamp

When the START/STOP Switch is in the ACC position, the auto lighting system defaults to the ON position (1). The AUTO lighting system will automatically switch the side lamps and switch illumination on and off according to the intensity of current ambient light.

With the START/STOP Switch in the ON/READY position, the AUTO lighting system will automatically switch the side lamps, switch illumination and dipped beam headlamps on and off according to the intensity of current ambient light.

Side Lamp and Switch Illumination

When the START/STOP Switch is in the ACC position, rotating the master light switch to position 2 will switch on the side lamps and switch illumination.

When the START/STOP Switch is in the ON/READY position, rotating the master light switch to position 2 will switch on the daytime running lamps, rear side lamps and switch illumination.

With the START/STOP Switch in the OFF position, if the side lamps stay on when the driver's door is opened, an audible alarm will sound.

Headlamps

When the START/STOP Switch is in the ON/READY position, rotate the master light switch to position 3 to switch on the dipped beam headlamps and side lamps.

Lamps Off

Rotate the master light switch to position 4 to switch off the lamps. Releasing the switch will allow it to return to the AUTO switch position.

Follow Me Home

After the START/STOP Switch is turned off, pull the light lever towards the steering wheel. This will enable the Follow Me Home function, dipped beam headlamps and side lamps will illuminate depending upon the vehicle configuration.

Daytime Running Lamps

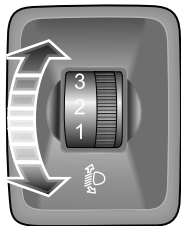
The daytime running lamps illuminate automatically when the START/STOP Switch is in the ON/READY position. When the dipped headlamps are switched on, the daytime running lamps extinguish automatically.

Find My Car

After the vehicle has been left in a locked condition in excess of 2 minutes, pressing the lock button again on the remote key will enable the Find My Car function. This function will identify the car by means of an audible and visual alert. Pressing the Lock button on the handset again will suspend this operation. Pressing the Unlock button will cancel this operation.

Instruments and Controls

Headlamp Leveling Manual Adjustment



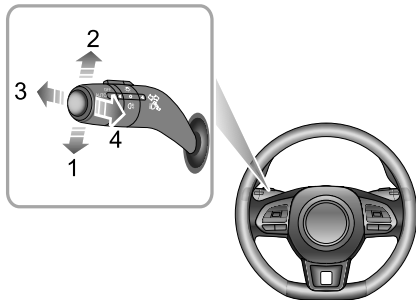
Location	Load
0	Driver, or driver & front passenger
1	All the seats occupied with no load in the bootspace
2	All the seats occupied plus an evenly distributed load in the bootspace
3	Driver only, plus an evenly distributed load in the bootspace

Position 0 is the initial position of the headlamp levelling adjustment switch. The headlamp leveling can be adjusted as per the following table according to the vehicle load.

Direction Indicator/Main Beam Switch



Take care not to dazzle oncoming vehicles when driving using main beam headlamps.



Direction Indicators

Move the light stalk switch down to indicate a LEFT turn (1). Move the light stalk switch up to indicate a RIGHT turn (2). The corresponding GREEN direction indicator in

the instrument pack will flash when the turn signal lamps are working.

Rotating the steering wheel will cancel the indicator operation (small movements of the steering wheel may not operate the self cancelling). To indicate a lane change, move the lever briefly and release, the indicators will flash three times and then cancel.

Main/Dipped Beam Headlamps Switching

With the START/STOP Switch in the ON/READY position and the headlamps on, push the light stalk switch towards the instrument panel (3) to turn on main beams. At this time, the main beam indicator in the instrument pack will illuminate and the message centre will prompt "Main Beam On". Push the light stalk switch (3) once again to switch to dipped beams.

Main Beam Flash

To briefly flash the main beam on and off, pull the lever towards the steering wheel (4) and then release.

Smart Main Beam System



The smart main beam system serves only as an auxiliary function. The driver still needs to check the status of the front lamps, and turn on the front lamps when necessary.

For example: The main beam may not be turned off automatically in the following cases, thus manual switching between the main beam and dipped beam is required:

- The windscreen is dirty, broken or obstructed by other objects blocking the view of the sensor.*
- The lamps of other vehicles are missing, damaged, blocked or partially blocked or cannot be detected for some other reasons.*
- The lamps of other vehicles are obscured or partially obscured by smoke, fog, snow, water spray or any other conditions that effect visibility.*

- When pedestrians, non-motor vehicles and other objects with no obvious light or reflected light are encountered.*
- When the headlamps and tail lamps of other vehicles cannot be detected due to the sensor view being impaired due undulating road conditions such as bends, dips or hills.*
- When the car is driving on a winding or mountainous road.*

In any of the aforementioned conditions (but not limited to) smart main beam operation may be suspended, it will be necessary to operate the main beam lamps manually.

The smart main beam system uses the front view camera to detect the light intensity of the vehicle ahead. The main beam lamps can be switched on or off automatically by the system when the surroundings are dark and no light detected.

To enable the smart main beam system, the following conditions should be met:

Instruments and Controls

1

- 1 The master lighting switch must be in the 'AUTO' position and the dipped beam lamps switched on via automatic control.
- 2 The vehicle is running and the speed is above 40 km/h.
- 3 Rear fog lamp is not turn on.

When the smart main beam system is enabled, the auto main beam indicator on the instrument pack illuminates.

The main beam lamps will remain on under automatic control until any of the following conditions occur:

- The system detects the headlamps of approaching vehicles.
- The system detects the tail lamps of vehicles ahead.
- The surroundings become bright enough not to require main beam.
- The vehicle speed drops below the 40 km/h threshold.

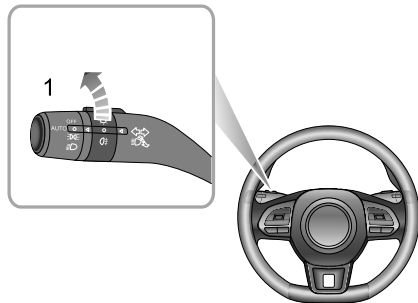
With the smart main beam system enabled, instantaneously pull the lighting lever towards the steering wheel, the smart main beam function will be temporarily suspended.

Note: *Exiting three times in one ignition cycle will not enable the function again in the current ignition cycle.*

IMPORTANT

The smart main beam function uses data from the front view camera, always keep the windscreen clean and free from residue in this area to maintain optimum performance of this system. Any damage in this area, such as stonechips must be repaired at the earliest convenience.

Rear Fog Lamp




Instruments and Controls

With the START/STOP Switch in the ON/READY position and the headlamps on, rotate the fog lamp switch to position I to turn on the rear fog lamp. The rear fog lamp indicator illuminates in the instrument pack when the rear fog lamps are on.

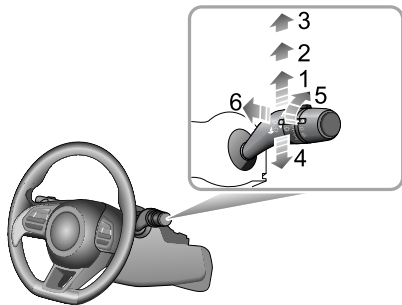
Note: *The rear fog lamps will turn off automatically when the master light switch is switched off.*

Hazard Warning Lamps

Press the hazard warning lamp button  to turn on the hazard warning lamps. At this time, all turn signal lamps and direction indicators will flash together. Press the button again to turn off the hazard warning lamps. All turn signal lamps and direction indicators will stop flashing.

Wipers and Washers

Front Windscreen Wiper Operation



The front wipers and washers will only operate when the START/STOP Switch is in the ON/READY position. Operate the stalk switch to select different wiping modes:

- Intermittent wipe (1)
- Slow wipe (2)
- Fast wipe (3)

- Single wipe (4)
- Rain sensor sensitivity adjustment(5)
- Programmed wipe (6)

Intermittent Wipe

By pushing the lever up to the Intermittent wipe position (1), the wipers will operate automatically. The interval between the Intermittent wipes can be increased/decreased via the switch (5).

Vehicle is equipped with a rain sensor fitted to the interior rearview mirror base to detect varying amounts of water on the outside of the windscreen. With automatic wipe, the vehicle will adjust the wiping speed according to the signals provided by rain sensor. Turn the switch (5) to adjust the sensitivity of rain sensor. As the sensitivity increases, the wiping interval decreases.

Note: Immediately operating the wiper one time can be achieved by increasing the sensitivity of rain sensor. If the rain sensor detects a continuous rainwater, the wiper will keep working. When no rain is detected, it is recommended to switch off automatic wipe.

Instruments and Controls

Slow Wipe

By pushing the lever up to the slow speed wiping position (2), the wipers will operate slowly

Fast Wipe

By pushing the lever up to the fast speed wiping position (3), the wipers will operate at fast speed.

Single Wipe

Pressing the lever (4) down and releasing will operate a single wipe, if the lever is held down, the wipers will operate at high speed until the lever is released.

IMPORTANT

- Avoid operating the wipers on a dry windscreen.
- In freezing or extremely hot conditions, make sure that the wiper blades are not frozen or adhered to the windscreen.
- In winter, remove snow or ice from around the arms and blades, including the wiped area of the screen before use.

Programmed Wipe

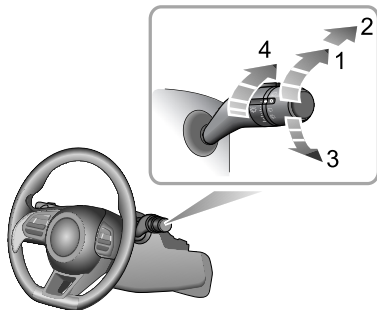
Pull the stalk switch toward the steering wheel (6), the windscreen washers will operate immediately. After a short delay, the wipers will commence operating in conjunction with the washers.

Note: *The wipers continue operating for a further three wipes after the stalk switch is released. After several seconds, there will be a further wipe to remove any washer fluid from the screen.*

IMPORTANT

If the washers fail to deliver the windscreen washer fluid, release the stalk switch immediately. This will prevent the wipers from operating, and the consequent risk of visibility being impaired by dirt smearing across the unwashed windscreen.

Rear Windscreen Wiper Operation



The rear wiper and washer will only operate when the START/STOP Switch is in the ON/READY position. Rotate the rear window wiper switch to your desired selection:

- Intermittent wiping (1)
- Wipe and wash (2)
- Wipe and wash (3)
- Wiper interval adjustment (4)

Intermittent wipe

Rotate the rear window wiper switch to intermittent wipe (1), the rear window wiper will operate, after several consecutive wipes, the wipers will enter into intermittent mode. The time period between the wipes can be increased/decreased via the intermittent wipe frequency adjustment switch (4).

Wash and wipe

Turn the rear window wiper switch to the wash and wipe (2) position and hold, the rear window wiper and washer will operate, the rear window wiper wipes quickly. release the switch allowing it to return to intermittent wipe (1), the rear window washer will stop operating, and the wiper wipes slowly, change the stalk switch position 4 to adjust the wipe speed. Turn the rear window wiper switch to wash and wipe (3) and hold, the rear window wiper and washer will operate. release the switch allowing it to return to the OFF position, the rear window washer will stop operating, and the rear window wiper wipes for 3 times, after several seconds, the wiper will wipe once more to remove the washer fluid on the rear screen.

Instruments and Controls

Note: *When the tail gate is opened, rear wiper operations will be disabled.*

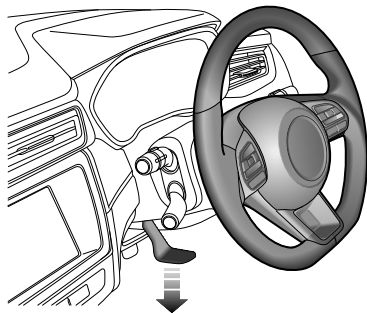
Note: *When the front windscreen wipers are turned on, if the shift control knob is turned to R position, the rear wiper will operate.*

Steering System

Steering Wheel Position Adjustment



DO NOT attempt to adjust the position of the steering wheel while the car is in motion. This is extremely dangerous.



Adjust the steering wheel position to suit your driving posture:

- 1 Fully release the locking lever (as indicated by the arrow).
- 2 Hold the steering wheel in both hands and tilt it up or down to adjust its height.
- 3 Once a comfortable driving position has been selected, pull the locking lever fully to lock the steering wheel into its new position.

Electric Power Steering



If the electric power steering fails or cannot operate the steering will appear very heavy, this will affect driving safety.

The electric power steering system only works when the vehicle is in READY mode. The system operates via a motor with assistance levels automatically adjusted based on vehicle speed, steering wheel torque and steering wheel angle.

Instruments and Controls

IMPORTANT

Holding the steering wheel on full lock for long periods will result in a reduction in power assistance causing a heavier feel to the steering for a short period of time.

Horn



Press the horn button area (indicated by the arrow) on the steering wheel to operate the horn.

Note: *The vehicle horn button and the driver's airbag are located in close proximity on the steering wheel. The illustration shows the position of the horn (indicated by arrow), please ensure that you press*

in this area to avoid any potential conflict with the operation of the airbag.

IMPORTANT

To avoid possible SRS issues, please do not press with excessive force or hit the airbag cover when operating the horn.

Instruments and Controls

Rearview Mirrors

The vehicle is fitted with rearview mirrors, these consist of a door mirror fitted to each door and a centrally mounted interior mirror. Rear view mirrors reflect situations directly behind or on both sides of the vehicle thus expanding the driver's field of vision.

The rearview mirrors are safety-critical parts. Proper use and reasonable mirror angle adjustment can improve the driving safety and comfort.

Exterior Door Mirrors

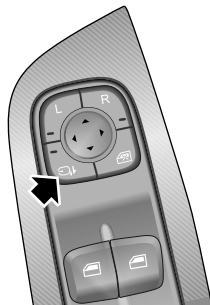
Note: *Objects viewed in exterior door mirrors may appear further away than they actually are.*

The mirrors can be electrically folded back towards the side windows into a 'park' position to enable the car to negotiate narrow openings and avoid collisions.

In addition to the folding function, the angle of the mirror glass in the exterior door mirrors can be adjusted electronically and also heated.

Power Folding

Pressing the switch (arrowed) on the combination switch in the driver side switch panel will electrically fold the exterior door mirrors. Pressing this switch again will restore the mirrors to their original position.

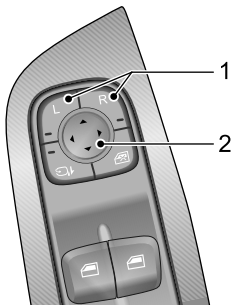


Note: *For vehicles equipped with power folding exterior mirrors, the power folding function of exterior door mirrors can also be realized by touching the*

mirror fold/unfold switch on the entertainment display screen.


Note: *When the exterior door mirror deviates from the original position due to human or other factors, the folding switch can be operated to complete one folding and unfolding action of the exterior door mirror to return to the original position.*

Electric Adjustment of Mirror Glass



- Press the left (L) or right (R) switch (1) to select the left or right exterior door mirror. The indicator lamps within the switches (1) will illuminate when selected.
- Press one of the 4 arrows of the circular switch (2) to adjust the angle of the exterior door mirror.
- Press the L or R switch (1) again, the corresponding indicator lamp will extinguish, and the mirror adjustment operation will be stopped. This is to avoid accidental adjustment of mirror angle once adjustments has been made.

Mirror Glass Heating

The door mirrors have integral heating elements which disperse ice or mist from the glass. The heating elements operate while the Heated Rear Window  is switched on.

Note: *The heating elements of rear window and mirror will only work when the power system is READY.*

Instruments and Controls

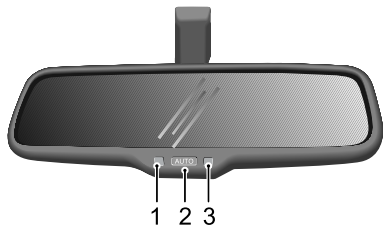
IMPORTANT

- Door mirror glass adjustments and electric folding are operated by electrical motors. Operating them directly by hand may damage the internal components.
- Washing or flushing exterior door mirrors with high pressure water jets or car washes may result in electrical motor failure.

Interior Rearview Mirror

Adjust the body of the interior rearview mirror to achieve the best possible view. The anti-dazzle function of the interior rearview mirror helps to reduce glare from the headlamps of following vehicles at night.

Automatic Anti-dazzle Interior Rearview Mirror



- 1 Operation Indicator
- 2 Automatic Anti-dazzle Function Switch
- 3 Light Sensor

When the START/STOP Switch is in the ACC/ON/READY position, the automatic anti-dazzle function is switched on automatically (operation indicator ON). If the system detects a following vehicle where the headlamps may dazzle the driver, the light sensor switches on the anti-dazzle function. Press the automatic anti-dazzle function switch (operation indicator OFF) to switch off the automatic anti-dazzle function, and press it again to re-start this function.

The automatic anti-dazzle function may be inhibited if:

- The light from the vehicle behind is not detected by the light sensor on the mirror.
- Reverse gear is selected.

Note: *Attaching film or objects on the rear window may have influences on the function of the automatic anti-dazzle function.*

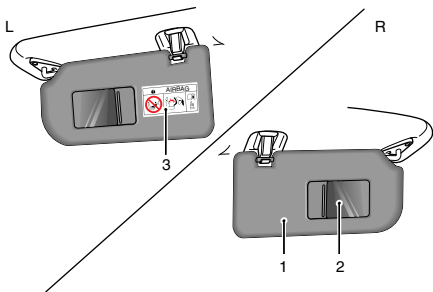
Instruments and Controls

Sunvisor



The vanity mirror on the driver side should only be used when the car is stationary.

Sunvisors (1) are arranged on the roof ahead of both the driver and the front passenger. All models have vanity mirror (2) and mirror lamp, pull the sunvisor downward and slide the cover aside to use the vanity mirror.



Note: Warnings and instructions on use of child restraint (3) are attached to both sides of the passenger sunvisor.

NEVER use a rearward facing child restraints on a seat protected by an ACTIVE AIRBAG in front of it, DEATH or SERIOUS INJURY to the CHILD can occur. Refer to 'Disabling the Passenger Airbag'.

Instruments and Controls

Window



Please correctly operate the windows to avoid danger. The driver shall instruct passengers on how to use windows and tell them safety precautions.

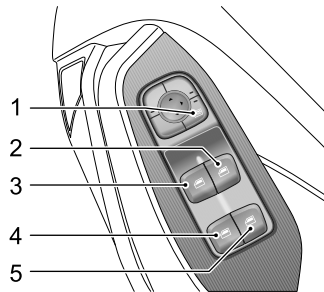


Ensure children are kept clear when raising or lowering a window.



***DO NOT** operate the power window controls continuously several times in a short time frame, otherwise the power window controls may be disabled to protect the motor. If this occurs, please wait a few seconds until the motor cools down. Do not disconnect negative battery during the time.*

Power Operated Window Switch

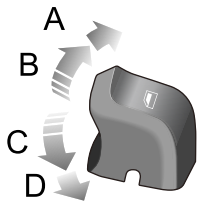


- 1 Rear Window Isolation Switch
- 2 Front Right Window Switch
- 3 Front Left Window Switch
- 4 Rear Left Window Switch
- 5 Rear Right Window Switch

Instruments and Controls

Window Operation

The electric windows can be operated with the vehicle power system in the ACC, ON and READY positions. (For safety: doors should be closed).



Press the window control switch (2 ~ 5) to the first position (C) to lower the window; Lift the switch to the first position (B) to raise. The window will stop moving as soon as the switch is released.

“One-Touch” Down

Press the switch to the second position (D) for a short time and releasing will automatically open the window completely. Window movement can be stopped at a

desired position at any time by briefly operating the switch again.

“One-Touch” Up with “Anti-Trap”

Briefly lift the window control switch to the second position (A). The window automatically rises to fully closed. Window movement can be stopped at the desired position at any time by briefly operating the switch again.

The “Anti-Trap” function is a safety feature which prevents the window from fully closing if an obstruction is sensed - if this happens the window will open slightly to allow the obstruction to be removed.

Note: The front and rear passenger windows can also be operated by individual window switches, mounted on each door. The rear window switches will not operate if the rear window isolation switch has been activated.

Rear Window Isolation Switch

Press the switch (I) to isolate the rear window controls (an indicator lamp in the switch illuminates). Press again to restore control.

Note: *It is recommended that you ISOLATE the rear window switches when carrying a child.*

"Lazy Lock" Function

The "Lazy Lock" function can open or close all the windows by using the remote key from outside the vehicle as long as it is within detection range.

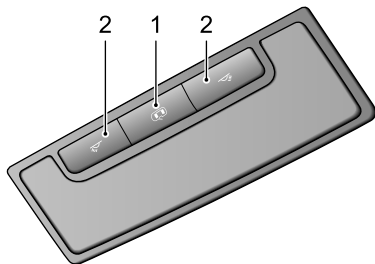
After the vehicle is powered off and the doors are closed. Press and hold the remote key unlock button until the windows start to slide to fully open the window. With the windows open, press and hold the remote key lock button until the windows start to slide to fully close the window.

Note: *If there is a power interruption during the raising or lowering of the window, "One-Touch" Up and "Anti-Trap" mode may be not operational. In this case, fully open the window, then raise the window to the fully closed position by lifting the switch briefly and consecutively. When the window is fully closed, hold the switch in the close position for a further 5 seconds. Then fully open the window again, press and hold the switch for another 5 seconds.*

Instruments and Controls

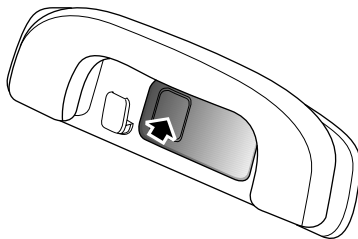
Interior Light

Front Interior Lamp



Press one of the switches 2 to turn the corresponding light on, press again to switch off.

Rear Interior Lamp



The rear interior lamps are located on the left and right sides of interior roof panel. Press the lamp lens as indicated in the diagram to switch on the rear interior lamps, press it again to switch off the lamps.

Automatic Operation

Press the button (1) for front interior lamp to turn on automatic operation, and press it again to turn off the function.

When the automatic control function is enabled, the front and rear interior lamps illuminate automatically if any of the following actions are carried out:

- The car is unlocked.
- Any door is opened.

Note: *Under normal circumstances, if a door or the tailgate is left open for a certain times, the interior lights will extinguish automatically. In case of low battery, the interior lights will extinguish quicker.*

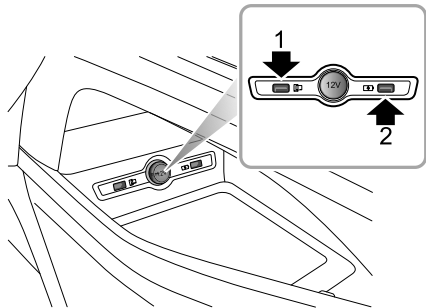
Instruments and Controls

Power Socket

Front Console Power Socket



Please ensure the socket lid is inserted when the power socket is not in use. This will ensure no debris or foreign objects enter the socket preventing its use or cause short circuits.



The 12V front console power socket is located in the storage box in front of the shift control knob. When the START/STOP Switch is in the ACC or ON/READY positions, it can be used as a power supply.

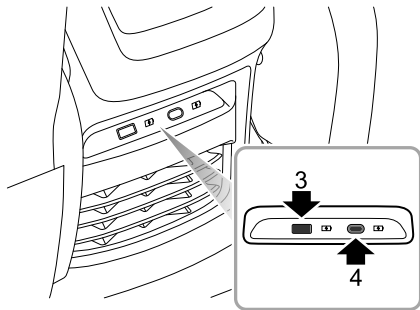
There are 2 USB ports (1 & 2) equipped to both sides of the 12V front console power socket. The USB 1 port can provide a 5V voltage when serving as a power outlet, or realize data transmission. It can also provide 'Vehicle-Mobile Phone Interconnection' function. The USB 2 port can only provide 5V voltage serving as a power outlet.

Note: The voltage of the front console power socket is 12 volt, and the power rating is 120 watt. Do Not use electrical equipment with the power exceeding the rating.

Note: The USB ports may not support some fast charging devices.

Note: Extended use of the accessory power socket and USB socket when the vehicle power system is switched off will cause premature discharging of the vehicle battery.

Rear Console USB Charging Ports



Note: Use of the USB port when the vehicle is not in READY mode will consume the battery power, extended use will cause premature discharging of the vehicle battery, and the vehicle may be prevented from being switched into READY mode.

There are 2 USB ports (3 & 4) located on rear console plate, when the START/STOP Switch is in the ACC or ON/READY positions, the USB ports can provide 5V voltage serving as power outlets.

Note: The USB ports may not support some fast charging devices.

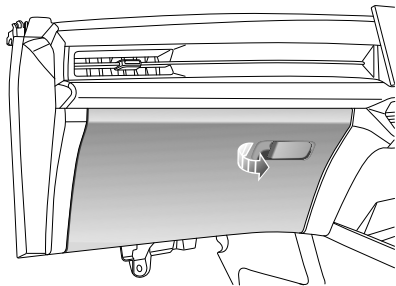
Instruments and Controls

Storage Devices

Instructions

- Please close all storage devices when the car is in motion. Leaving these storage devices open may cause personal injury in cases of a sudden start-off, emergency braking or a car accident.
- Do not place flammable materials such as liquid or lighters in any storage devices. The heat in hot conditions may ignite flammable materials and result in a fire.

Glove Box



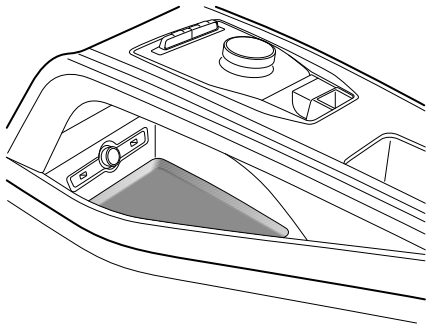
To open the glove box, pull the handle on the glove box cover (as indicated by the arrow).

Push the lid forward to close the glove box. Make sure the glove box is fully closed when the car is being driven.

Instruments and Controls

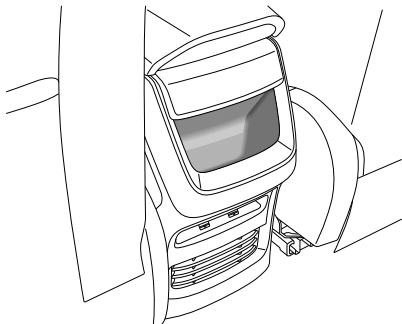
Storage Box

Centre Console Front Storage Box



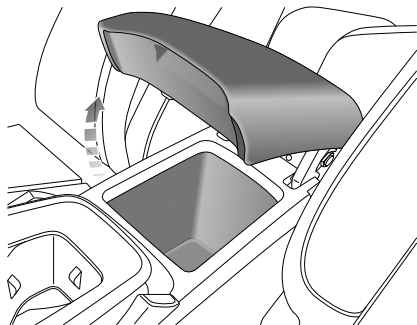
The centre console front storage box is located under the shift lever.

Centre Console Rear Storage Box



The centre console rear storage box is located at the rear of the centre console.

Centre Console Armrest Box



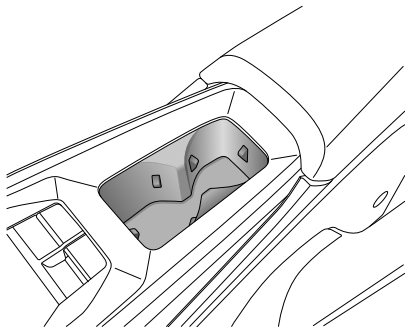
Lift the armrest (arrowed) to open the compartment cover and put down to close.

Cup Holder



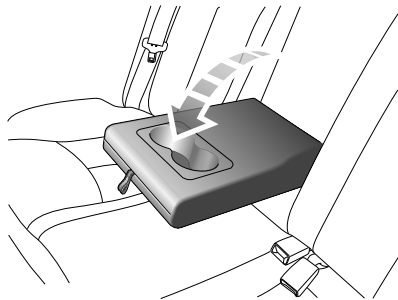
DO NOT place hot drinks in the cup holder whilst driving. Spillage may result in personal injury or damage.

Centre Console Cup Holder



The centre console cup holder is situated at the front end of the centre console armrest assembly.

Rear Armrest and Rear Cup Holder



Fold forward to open the rear armrest. There are cup holders at the front end of the rear armrest.

Roof Luggage Rack



Roof loads MUST NOT exceed the maximum authorised load. This may lead to injury or vehicle damage.



Loose or improperly fixed loads may fall from the roof luggage rack and lead to an accident or cause injury.



When heavy or large items are carried on the roof luggage rack it may lead to changes in steering, handling and braking characteristics. Please avoid sharp maneuvers, heavy braking and excessive acceleration.

Pay attention to the following when using the roof luggage rack:

- Fix loads towards the front of the roof as far as possible, and distribute the roof load evenly.
- DO NOT use automatic car washes with loads on the roof luggage rack.

- The overall height of the car is different when loads are fitted to the roof luggage rack. Please ensure there is adequate clearance when entering tunnels and garages.
- Ensure the loads carried by the roof luggage rack do not impede operation of the sunroof, roof antenna or tailgate opening.
- When installing or removing a piece of loading equipment, follow the instructions provided by the manufacturer of the loading equipment.

Maximum Authorised Load for the Roof

The maximum authorised load for the roof is 75 kg, and the roof load includes the weight of the roof loads and that of the loading equipment installed.

Be sure to know about the weight of loads, and weigh them when necessary. Never exceed the maximum authorised load for the roof.

Periodical Check

Always check the condition and security of bolt connectors and fasteners before using the rack luggage rack. Periodically check the condition and security of bolt connectors and fasteners.

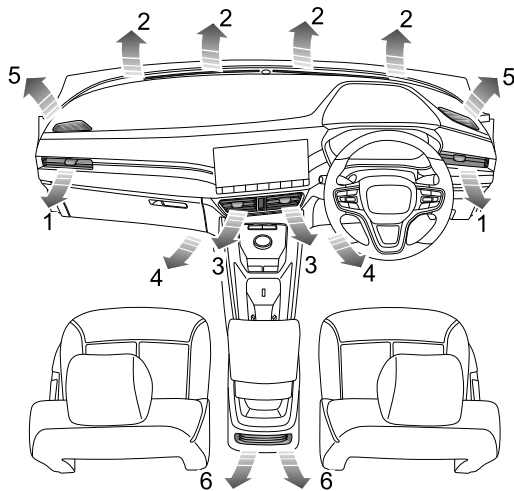
Air Conditioning

64 Ventilation

67 A/C Control Panel

Air Conditioning

Ventilation



- 1 Side Vents
- 2 Windscreen/Defrost Vents
- 3 Centre Vents
- 4 Front Footwell Vents
- 5 Front Side Window Vents
- 6 Rear Footwell Vents

Air Conditioning

The heating , ventilation and air conditioning system provides fresh, cooling or heated air to the interior of the car. Fresh air is drawn in through the air intake grille at the base of the front windscreen and A/C filter.

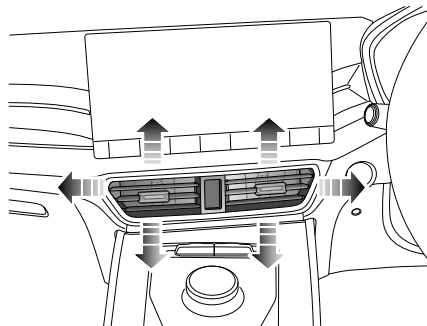
Always keep the air intake grille clear of obstructions such as leaves, snow or ice.

A/C filter

The A/C filter is used to filter air. To remain fully effective, the filter should be replaced at the recommended service interval.

Vents

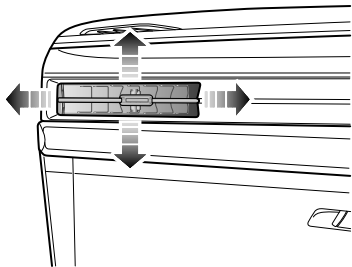
Centre Vents



Slide the button in the centre of the louvres to the left or right to open or close the vent. Toggle it up and down, left and right to adjust the air direction.

Air Conditioning

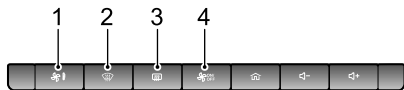
Side Vents



Slide the button in the centre of the louvres to the left or right to open or close the vent. Toggle it up and down, left and right to adjust the air direction.

Air Conditioning

A/C Control Panel



- 1 Shortcut Key to A/C Interface
- 2 Defrost/Demist Button
- 3 Heated Rear Window Button
- 4 A/C On/Off Shortcut Key

Shortcut Key to A/C Interface



Press the shortcut key to quickly access the A/C control interface.

Defrost/Demist



Press the Defrost/Demist Button, the cooling function indicator will illuminate, and the system will enable

the Defrost/Demist function to clear the mist or frost on the windscreen and front window.

Pressing the Defrost/Demist Button again will exit the defrost/demist function, and the system will return to the previous state.

In the defrost/demist mode, operation of the air distribution mode will exit the defrost/demist mode.

Heated Rear Window



The rear window heater is a sensitive element, and improper use of it will cause damage. DO NOT scrape or scratch the inside of the glass. DO NOT stick labels over the heating elements.



Press the heated rear window button to switch the function on of off. The button indicator illuminates when the function is on, and is extinguished when the function is off. The heated rear window features a timer function and will automatically switch off after a preset time. To continue to use the heated rear window, operate the button again.

Air Conditioning

A/C On/Off Shortcut Key



Press the A/C On/Off shortcut key to operate the system, the button will illuminate and A/C system will be turned on; press the shortcut key again, the button will go out, and the A/C system will be turned off.

Note: A/C system is enabled by the A/C On/Off Shortcut Key, and the status before turning off the air conditioning last time is displayed by default.

Seats & Restraints

70 *Seats*

74 *Seat Belts*

84 *Airbag Supplementary Restraint
System*

93 *Child Restraints*

Seats & Restraints

Seats

Overview



*To avoid personal injuries due to the loss of control, **DO NOT** adjust the seats while the car is moving.*

An ideal position of the seat should make sure your driving position is comfortable, which allows you to hold the steering wheel with your arms and legs slightly bent and control all the equipment. Make sure your driving position is comfortable and enables you to maintain full control of the vehicle. Take care when adjusting the height of front seats - the feet of the rear passenger could become trapped when the seat is lowered.

DO NOT recline the front seat backrest excessively. Optimum benefit is obtained from the seat belt with the backrest angle set to approximately 25° from the upright (vertical). The driver and front passenger seats should be positioned as far rearward as practical. A properly adjusted seat helps reduce the risk of injury from sitting too close to an inflating airbag.

Head Restraints



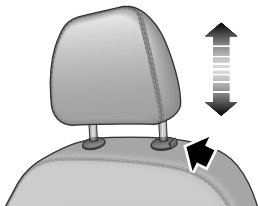
*Adjust the height of the head restraint so that the top of it is in line with the top of the occupant's head. This location may reduce the risk of head and neck injuries in the event of a collision. **DO NOT** adjust or remove the head restraints while the car is moving.*



***DO NOT** hang anything on any head restraint or head restraint rod.*

The head restraint is designed to prevent rearward movement of the head in the event of a collision or emergency braking, thereby reducing the risk of head and neck injuries.

Seats & Restraints

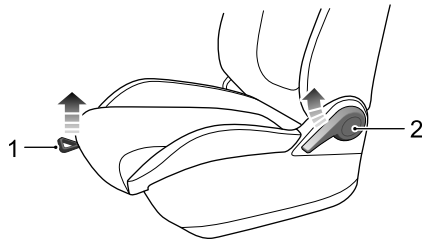


When adjusting a head restraint from low to high position, pull the head restraint directly upward, and gently press it downward after it reaches the desired position to make sure that it is locked in position. To remove the head restraint, press and hold the guide sleeve button (as indicated by the arrow) on the left of the head restraint, then pull the head restraint upward to remove it.

When adjusting a head restraint from high to low position, press the guide sleeve button (as indicated by the arrow) on the left of the head restraint, and press the head restraint downward; release the button after it reaches the desired position, and gently press the head restraint downward to make sure that it is locked in position.

Front Seats

Manual Seat



- Forward/Backward Adjustment

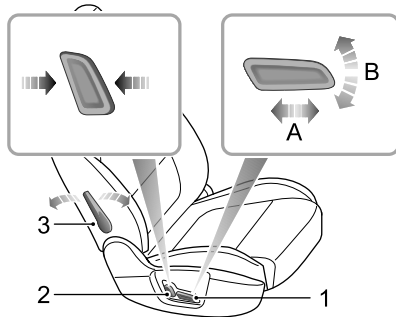
Lift the lever (1) under the seat cushion, slide the seat into an appropriate position and release the lever. Make sure that the seat is locked in place.

Seats & Restraints

- Backrest Adjustment

Lift the lever (3), adjust the backrest until it reaches the desired angle, return the lever to the rest position and ensure the backrest is in a locked position.

Power Seat *



- Forward/Backward Adjustment

Push the switch (1) forward or backward (A) to move the seat forward/backward.

- Cushion Height Adjustment

Pull the switch (1) upward or push downward (B) to raise or lower the seat cushion.

- Backrest Adjustment

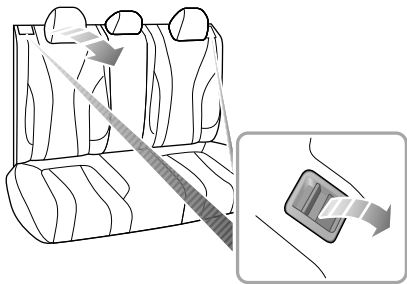
Move the switch (2) forward or backward to adjust backrest until it reaches the desired angle.

- Lumbar Support Adjustment

Move the lever (3) to adjust the level of the lumbar support.

Seats & Restraints

Rear Seats



To increase the luggage space, the rear seat backrest can be folded fully forward. When folding the backrest completely, firstly insert the rear seat belt buckle into the corresponding slot, then fully lower (or remove) all head restraints, pull the respective control lever at the top of the seat backrest upwards and fold the seat backrest forward.

To return the backrest to an upright position, pull the respective control lever upward to release the lock, raise the backrest to the desired position, a click will be heard when the seat is locked.

Note: When returning the rear seat backrest to the desired position, make sure that the rear seat belt is not trapped.

Note: If the rear seat head restraints are not fully lowered or the backrest of the front seat is reclined backward excessively, the folding of the rear seat is very likely to damage the back of the front seat, small storage compartment or rear seat head restraint.

Note: If the rear seat belt buckle is not completely inserted into the corresponding slot, folding the backrest is very likely to damage the rear seat backrest cover or foam.

Seats & Restraints

Seat Belts



It is important that all seat belts are worn correctly. Always check that all passengers are wearing seat belts. DO NOT carry passengers that are unable to wear correctly positioned seat belts. Wearing seat belts incorrectly may cause serious injury or even death in the event of a collision.



Airbags can not replace seat belts. Airbags can only provide extra support when triggered, and not all traffic accidents will trigger airbags. Whether airbags are triggered or not, seat belts can reduce the risks of serious injury or death in accidents. Therefore, seat belts must be worn correctly.



NEVER unfasten a seat belt whilst driving. Serious injury or death may occur in the case of an accident or emergency braking.



This vehicle is equipped with seat belt warning lamp to remind you to fasten your seat belt. Please refer to 'Warning Lights and Indicators' in the 'Instruments and Controls' chapter.

During driving, seat belts must be fastened, this is because:

- You can never predict if you will be involved in a collision accident and how serious it may be.
- In many cases of collision accidents, passengers with seat belts correctly fastened are well-protected, while passengers with seat belts not fastened suffer from serious injury or even death.

Therefore, all passengers must wear seat belts correctly, even during short-distance journeys.

Seats & Restraints

Protection Provided by Seat Belts



It is of equal importance for passengers in the rear seat to fasten their seat belts correctly. Otherwise, passengers with seat belts not correctly fastened will be thrown forward in accidents, and will endanger themselves as well as the driver and other passengers.



3

When the vehicle is in motion, the travelling speed of the occupants is identical to that of the vehicle. In the event of a 'head on collision' or emergency braking, the vehicle may stop, but the occupants will carry on travelling until they come into contact with a stationary object. This object may be the steering wheel, dashboard, windscreen and others.

A correctly fastened seat belt will eliminate this risk of injury. When the seat belt is worn correctly, it will lock automatically in collision accidents or emergency braking to reduce your speed together with the vehicle, so as to prevent the out-of-control movement which may cause serious injury to driver and passengers.

Seats & Restraints

Wearing Seat Belts



Incorrectly worn seat belts could cause injury or death in the event of an accident.



Seat belts are designed for one person. DO NOT share seat belts.



DO NOT wrap a seat belt around when holding a baby or child in your arms.



Remove any heavy coats or clothing when wearing a seat belt, failure to do so can affect protection provided by the seat belt.



Seat belts should not be wrapped around hard or sharp objects such as pens, spectacles or keys.



Seat belts cannot function correctly when the seats are reclined excessively. DO NOT drive when the seats are excessively reclined.

The seat belts fitted to your vehicle are designed for use by normal sized adults. This part of the literature refers to adult use. For advice on seat belt use with children, please see 'Children and Seat Belts'.

All seat belts are 3 point lap-shoulder belts.

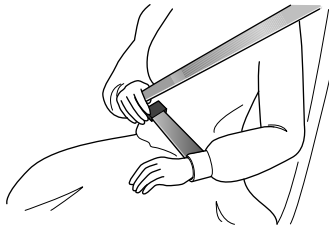
In order to maintain effective protection, the passengers must sit in the correct orientation, feet placed on the floor in front of them, with an upright body (no excessive recline) and the seat belt correctly fastened.

Seats & Restraints

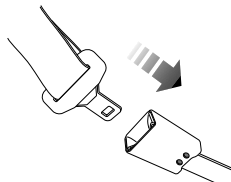
Fastening Seat Belts

Please follow the instructions below to fasten the seat belts correctly.

- 1 Hold the metal tab, pull the seat belt out steadily over the shoulder and across your chest. Ensure the belt is not twisted.



- 2 Insert the metal tab into the buckle until you hear a 'click', this indicates the seat belt is securely locked.



- 3 Remove any slackness in the belt by pulling up on the diagonal section of the belt.
- 4 To release the seat belt, press the red button on the buckle. The seat belt will retract automatically to its original position.

Seats & Restraints

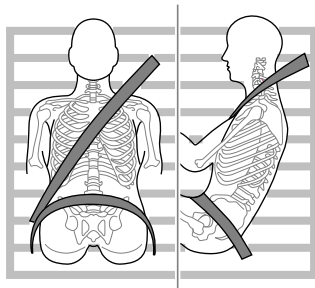
IMPORTANT

- Always ensure the seat belt will not become trapped in the door aperture when closing the door, damage will occur.
- Pulling the seat belt out too quickly may cause it to 'lock'. In this case, allow the seat belt to retract slightly and then pull it across your body slowly.
- If it is difficult to pull the seat belt out, it may be due to twisted webbing. If this is the case, fully extract the seat belt, remove the twist, allow the seat belt to retract slowly.
- When using the rear seat belts please ensure they are fully retracted into the correct position to avoid jamming in the rear seat catches. It is a legal requirement to wear seat belts. Even if the seat belt is twisted it must be worn. Where possible avoid the twisted section contacting the body and seek advice from an MG Authorised Repairer as soon as possible.

Correct Routing of the Seat Belts



Ensure the seat belt is correctly positioned on the body, NEVER cross the neck or abdomen, NEVER pass the seat belt behind the back or under the arms.



When wearing seat belts, the lap belt section should be positioned as low as possible across your hips. NEVER cross the abdomen. In the event of a collision, the lap belt can apply a force on the hips and reduce the possibility of

Seats & Restraints

you slipping under the lap belt. If you slip under the lap belt, the belt will apply force on your abdomen, which may cause serious or fatal injuries. The diagonal section of the belt should cross the middle of the shoulder and the chest. In the event of emergency braking or collision, the diagonal section of the belt will be locked. NEVER position a seat belt across your neck, across the body under your arms or behind your back.

To ensure that the seat belts always provide maximum protection, ensure the belt is flat, not loose and contacts the body.

Seat Belts During Pregnancy

Wearing correctly positioned seat belts will provide protection for both mother and unborn child in the event of a collision or emergency braking.



The diagonal section of the seat belt should pass across the chest as normal, the lap section of the belt should pass below the belly, low and snug on the hip bones. NEVER position the belt on or above the belly.

Please consult your physician for further details.

Seat Belts and Disabilities

It is a legal requirement that all occupants wear seat belts, this include people with disabilities.

Depending upon the disability, consult your physician for further details.

Seats & Restraints

Children and Seat Belts

! *Proper protection measures must be taken for children during driving.*

For safety reasons, children must ride in a child restraint device fixed to the rear seat.

Infants

! *Only recommended child restraints suitable for the age, height and weight of the child should be used.*

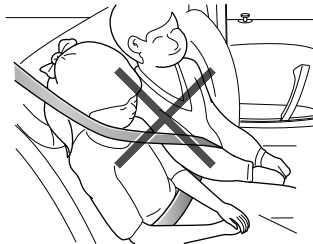
! *NEVER carry a child or infant with your arms during driving. When collision accidents occur, the weight of child will produce such a great force that you can not hold the child. The child will be thrown forward and suffer serious injury or even death.*

The seat belts fitted to your vehicle are designed for adults, they are not suitable for children. In the event of an accident or collision the children are not secure, it could cause death or serious injury.

Infants **MUST** use a suitable child restraint device. Please consult the child seat manufacturers guide lines when selecting the correct seat. Follow the manufacturers instructions on installation. Please refer to "Child Restraints" in this chapter for more details.

Older Children

! *NEVER share a seat belt amongst children. In the event of an accident or collision the children are not secure, it could cause death or serious injury.*



Seats & Restraints

As children grow and become older/larger it will get to the stage when they no longer require child seat restraints, at this point they will require use of the vehicle standard seat belt. Please ensure the seat belt is correctly positioned on the body of the child.

When fastening a seat belt for a child always check it for correct positioning. Adjust the height of seat belt to ensure the shoulder belt is kept away from the child's face and neck. Position the lap belt across the hips as low as possible, and tighten adequately. Correct positioning means that the seat belts can pass the applied force to the strongest part of child's body in accidents.

If the shoulder belt is too close to child's face or neck, it may be necessary to use a child booster cushion (always ensure that it meets any relevant laws or standards).

Seat Belt Pre-tensioners



The seat belt pre-tensioners will only be activated once and then MUST BE REPLACED. Failure to replace the pre-tensioners will reduce the efficiency of the vehicle's restraint system.



If the pre-tensioners have been activated, the seat belts will still function as restraints, and must be worn in the event that the vehicle remains in a drivable condition. The seat belt pre-tensioners should be replaced at the earliest opportunity by an MG Authorised Repairer.

The vehicle is fitted with seat belt pre-tensioners, these are designed to retract the seat belts and work in conjunction with the airbags in the event of a severe collision. They are designed to retract the seat belt and 'secure' the occupant in the seat.

The airbag warning light on the instrument pack will alert the driver to any malfunction of the seat belt pre-tensioners.(see 'Warning Lights and Indicators' in the 'Instruments and Controls' chapter).

The seat belt pre-tensioners can only be activated once, after activation they must be replaced. This may also involve replacement of other SRS components. Please refer to 'Replacing Airbag System Parts'.

Seats & Restraints

IMPORTANT

- Seat belt pre-tensioners will not be activated by minor impacts.
- The removal or replacement of a pre-tensioner must be carried out by the manufacturer trained, dealer technicians.
- 10 years from the initial date of registration (or installation date of a replacement seat belt pre-tensioner), some components will need to be replaced.

Seat Belt Checks, Maintenance and Replacement

Seat Belt Checks



Split, worn or frayed seat belts may not function correctly in the event of a collision, if there are any signs of damage, replace the belt immediately.



Always ensure the red release button on the seat belt buckle is pointing upwards to ensure easy release in the event of an emergency.

Please follow the instructions below to check the seat belt warning lamp, seat belt, metal tab, buckle, retractor and fixing device regularly:

- Insert the seat belt metal tab into the corresponding buckle and pull seat belt webbing close to the buckle quickly to check that the belt clasp locks.
- Hold the metal tab and pull the seat belt forward quickly to check that the seat belt reel locks automatically, preventing the webbing from extending.

Seats & Restraints

- Fully extract the seat belt and visibly examine for twists, fraying, splits or worn areas.
- Fully extract the seat belt and allow to return slowly to ensure continual and complete smooth operation.
- Visibly examine the seat belt for missing or broken components.
- Ensure the seat belt warning system is fully functional.

If the seat belt fails any of the above tests or inspections contact an MG Authorised Repairer immediately for repairs.

Seat Belt Maintenance



DO NOT attempt to remove, install, modify, disassemble or dispose of the seat belts. Have any necessary repairs carried out by your MG Authorised Repairer. Inappropriate handling may lead to incorrect operation.



Ensure no foreign or sharp objects become lodged in the seat belt mechanisms. DO NOT allow liquids to contaminate the seat belt buckle, this could affect the buckle engagement.

Seat belts should only be cleaned with warm soapy water. DO NOT use any solvent to clean the seat belt. DO NOT attempt to bleach or dye the seat belt, it may weaken the seat belt. After cleaning, wipe with a cloth and allow to dry. DO NOT allow the seat belt to fully retract before it is completely dry. Keep seat belts clean and dry.

If there are contaminants accumulated in the retractor, the retraction of the seat belt will be slow. Please use a clean and dry cloth to remove any contaminants.

Replacing Seat Belts



Collision accidents may damage the seat belt system. The seat belt system may not be able to protect users after damage and may cause serious injury or even death when an accident occurs. After the accident, seat belts should be checked immediately and replaced as necessary.

Seat belts should not require change after minor collisions, however, some other parts of the seat belt system may require attention. Please consult an MG Authorised Repairer for advice.

Seats & Restraints

Airbag Supplementary Restraint System

Overview



*The airbag SRS provides **ADDITIONAL** protection in a severe frontal impact only. It does not replace the need, or requirement to wear a seat belt.*

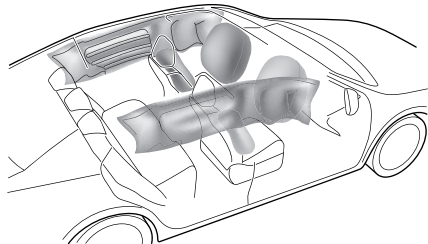


The airbags together with the seat belts provide optimum protection for adults, but it is not the case for infants. The seat belt and airbag systems in the vehicle are not designed for protecting infants. The protection required by infants should be provided by child restraints.

The Airbag Supplementary Restraint System generally consists of:

- Front Airbags (fitted to the centre of the steering wheel and dashboard above the glove compartment).
- Seat Side Airbags (fitted to the outer side of the seat squab).

- Side Head Impact Protection Airbags (fitted behind the headlining).



In the corresponding position where airbags are fitted, there is a warning sign stating 'AIRBAG'.

Airbag Warning Light



The airbag warning light is located in the instrument pack. If this lamp does not extinguish or illuminates during driving, it indicates that there is a failure in the SRS or seat belt. Please seek an MG Authorised Repairer at the earliest opportunity. An SRS or seat belt fault may mean the components may not be deployed in the event of an accident.

Airbag Deployment



Front seat passengers should not place feet, knees or any other part of the body in contact with, or in close proximity to a front airbag.



To minimise the risk of accidental injury from inflating airbags, seat belts should be worn correctly at all times. In addition, both driver and front seat passenger should adjust their seat to provide sufficient distance from the front airbags. If side airbags/side head impact protection airbags are fitted, both driver and front seat passenger should be seated to maintain sufficient distance from the upper part of the body to the sides of the vehicle, this will ensure maximum protection when the side airbags/side head impact protection airbags are deployed.

Seats & Restraints



When airbags are deployed, children without proper protection may suffer from serious injury or even death. DO NOT carry children in the arms or on the knees during traveling. Children should wear seat belts suitable to age. DO NOT lean out of windows.



An inflating airbag can cause facial abrasions and other injuries if the occupant is too close to the airbag at the time of its deployment.



DO NOT affix or place any objects on, or adjacent to the airbags. This may affect the airbag passage or create projectiles that may cause injury or serious harm in the event of airbag deployment.



After deployment the airbag components become very hot. DO NOT touch any airbag related components, it may cause burns or serious injury.



DO NOT knock or strike the position where airbags or related parts are located, so as to avoid accidental airbag deployment which may cause serious injury or even death.

In the event of a collision, the airbag control unit monitors the rate of deceleration or acceleration induced by the collision, to determine whether the airbags should be deployed. Airbag deployment is virtually instantaneous and occurs with considerable force, accompanied by a loud noise.

Provided the front seat occupants are correctly seated and with seat belts properly worn, the airbags will provide additional protection to the chest and facial areas in the event of the car receiving a severe frontal impact.

Side airbags and side head impact protection airbags are designed to offer additional protection to the side of the body facing the impact, if a severe side collision occurs.

Seats & Restraints

IMPORTANT

- Airbags can not protect lower body parts of passengers.
- Airbags are not designed for rear collision, minor frontal or side impacts, or if the vehicle overturns; nor will it operate as a result of heavy braking.
- Deployment and retraction of the frontal and side airbags takes place very quickly and will not protect against the effects of secondary impacts that may occur.
- When an airbag inflates, a fine powder is released. This is not an indication of a malfunction, however, the powder may cause irritation to the skin and should be thoroughly flushed from the eyes and any cuts or abrasions of the skin.
- After inflation, front and side airbags deflate immediately. This provides a gradual cushioning effect for the occupant and also ensures that the driver's forward vision is not obscured.

Front Airbags



NEVER use a rearward facing child restraint on a seat protected by an ACTIVE AIRBAG in front of it, DEATH or SERIOUS INJURY to the CHILD can occur.



Front seat passengers should not place feet, knees or any other part of the body in contact with, or in close proximity to a front airbag.



In extreme cases driving on very uneven surfaces may cause airbag deployment. Please take extra care when driving on uneven roads.

Airbags are designed to deploy during serious impacts, the following conditions may cause airbag deployment.

- A frontal collision with unmovable or non deformable solid objects at a high speed.
- Conditions that can cause serious chassis damage, such as a collision with kerbstones, road edges, deep ravines or holes.

Seats & Restraints

Seat Side Airbags



The manufacture and material of the seat is critical to the correct operation of side airbags. Therefore, please DO NOT fit seat covers which may affect side airbag deployment.

In the event of a serious side impact, the relevant side airbag will deploy (only the affected side).

- The airbag will be deployed in the event that the side of the vehicle is impacted with a solid object or another vehicle.

Side Head Impact Protection Airbags

In the event of a serious side impact, the relevant side curtain airbag will deploy (only the affected side).

- The side curtain airbag will be deployed in the event that the side of the vehicle is impacted with a solid object or another vehicle.

Conditions in Which Airbags Will Not Deploy

The deployment of airbags does not depend on the vehicle speed, but on the object that the vehicle hits, angle of impact and the rate at which the car changes speed as a result of a collision. When the impact force of collision is absorbed or dispersed to vehicle body, airbags may not deploy; however, airbags may sometimes deploy according to impact condition. Therefore, the deployment of airbags shall not be judged based on the severity of vehicle damage.

Front Airbags

Under certain conditions the front airbags may not be deployed. Some examples are listed below:

- The impact point is not central to the front of the vehicle.
- The impact is not of sufficient force (the impact is with an object that is not solid, such as a lamp post or central barriers).
- The impact area is high (collision with the tailgate of a truck).
- Impacts to the rear or side of the vehicle.

Seats & Restraints

- The vehicle rolling over.

Seat Side Airbags and Side Head Impact Protection Airbags

Under certain conditions the seat side and side head airbags may not be deployed. Some examples are listed below:

- Side impacts at certain angles.
- Light side impacts such as a motorcycle.
- Impacts that are not central to the side of the vehicle, either too far toward the front compartment or the loadspace.
- The vehicle rolling over.
- The angled impact is not of sufficient force (the impact is with an object that is not solid, such as a lamp post or central barriers).
- The impact is not of sufficient force (with another vehicle, stationary or moving).
- The impact is from the rear of the vehicle.

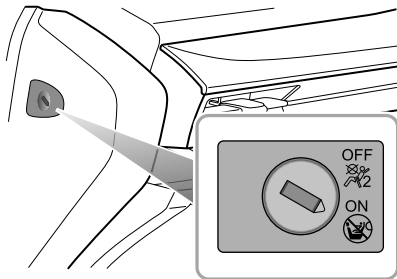
Disabling the Passenger Airbag



The Passenger Airbag should only be disabled when a rear facing child seat is fitted to the front passenger seat.



When an adult is seated in the front passenger seat, ensure that the airbag is switched on.



Seats & Restraints

The passenger airbag switch is located in the left fascia panel end cover trim. Insert the key and rotate the switch to the on or off position to enable or disable the passenger airbag.



The passenger airbag status light is located in the roof mounted interior lamp assembly. The shape of the lamp assembly varies according to the configuration of the vehicle.

When the switch is turned to the OFF position, the OFF indicator light (located in the PAB display panel in the lamp assembly) illuminates, this indicates that the passenger airbag is disabled.

When the switch is turned to the ON position, the ON indicator light (located in the PAB display panel in the lamp assembly) illuminates, this indicates that the passenger airbag is enabled.

Seats & Restraints

Service and Replacement of Airbags

Service Information



DO NOT install or modify the airbag. Any changes to the vehicle structure or airbag system wiring harness are strictly prohibited.



Changes to vehicle structure is prohibited. This may affect the normal operation of the SRS.



DO NOT allow SRS areas to be flooded with liquid and DO NOT use petrol, detergent, furniture cream or polishes to clean SRS components..



If water contaminates or enters the SRS it may cause damage and affect deployment. In this case contact an MG Authorised Repairer immediately.

If the airbag warning lamp fails to illuminate, stays on, or if there is damage to the front or side of the vehicle, or

the airbag covers show signs of damage, contact an MG Authorised Repairer immediately.

IMPORTANT

- The removal or replacement of an airbag module should be carried out by an MG Authorised Repairer.
- After 10 years from the initial date of registration (or installation date of a replacement airbag), some components will need to be replaced by an MG Authorised Repairer.

Replacing Airbag System Parts



Even if the airbag does not deploy, collisions may cause damage to the SRS in the vehicle. Airbags may not function properly after damage, and cannot protect you and other passengers when a second collision occurs, which may cause serious injury or even death. To ensure that the SRS can function properly after a collision, please go to an MG Authorised Repairer to check airbags and repair as necessary.

Seats & Restraints

Airbags are designed for using once only. Once the airbag is deployed, you must replace SRS parts.

Please go to an MG Authorised Repairer for replacement.

Disposal of Airbags

When your vehicle is sold, ensure that the new owner knows the vehicle is equipped with airbags, and is aware of the replacement date of any SRS components.

If the vehicle is scrapped, the undeployed airbags may have potential risks, therefore, before the disposal, they must be deployed safely in a certain environment by a professional from an MG Authorised Repairer.

Child Restraints

Important Safety Instructions about Using Child Restraints

It is recommended that children below the age of 12 years old should be seated on the rear seat of the vehicle, in a child restraint system appropriate to the children's weight and size. Infants less than 2 years old should be restrained in an infant child restraint system.

It is recommended that a child restraint system that complies with UN ECE-R44 or ECE-R129 standard are fitted in this vehicle. Check markings on the child restraint system.

There are a number of child restraint systems available of different type and specification. For optimum protection, it is recommended that you choose restraint systems appropriate to the child's age and weight.

It is important to comply with installation instructions supplied by the child restraint manufacturer and that the child restraint system is properly secured to the vehicle. Failure to follow these instructions may cause death or

serious injury to the child in an event of a sudden stop or accident.

- All occupants, including children must wear seat belts or use an appropriate child restraint.
- MG strongly recommends that children under 12 years of age or less than 1.5 metres tall should use the appropriate child restraint fitted to the rear seat.
- Only one child can be carried in any one restraint.
- DO NOT put the child on the lap or in arms when sitting in any seat.
- If installing a rear facing child restraint to the rear seat, the corresponding front seat should be adjusted forward; if installing a forward facing child restraint to the rear seat, you may need to adjust the height of the headrest to the lowest; if installing a forward facing child restraint to the front seat, you may need to remove its headrest.
- Never let your child stand or kneel on the seat during driving.
- Always ensure the child is seated correctly in the child restraint.
- The ways of using seat belts have a great influence on the maximum protection offered by the seat belt, you

Seats & Restraints

must comply with the child restraint manufacturer's instructions on proper use of seat belts. If seat belts are not properly fastened, a minor traffic accident may also lead to injury.

- Child restraints that are not fitted correctly may move and injure other occupants in the event of an accident or emergency braking. Therefore, even if there is no infant or child in the child restraint, it also should be fitted properly and securely in the vehicle.

Warnings and Instructions on Use of Child Restraint on Front Passenger Seat



NEVER use a rearward facing child restraint on a seat protected by an **ACTIVE AIRBAG** in front of it, **DEATH** or **SERIOUS INJURY** to the **CHILD** can occur.



If you choose to install a child restraint on the front passenger seat, move the front passenger seat as far rearward as possible.



Use one child restraint per child.

Please study the safety warning label on the sun visor. Where possible always install child restraints on the rear seat. If it is necessary to install a child restraint on the front seat please observe the warnings above.

Children's Safety and Side Airbags



Children should not be allowed in areas where airbags may be deployed, there is a risk of serious injury.

Seats & Restraints



Only recommended child restraints suitable for the age, height and weight of the child should be used.



DO NOT place any items in areas where airbags may be deployed, there is a risk of serious injury.

In the event of a side collision, the side airbags can provide better protection for the passenger. However, when the airbag is triggered a very strong expansion force is generated, if the passenger's seating position is not correct, the airbags or items in the side airbag deployment area may cause injury.

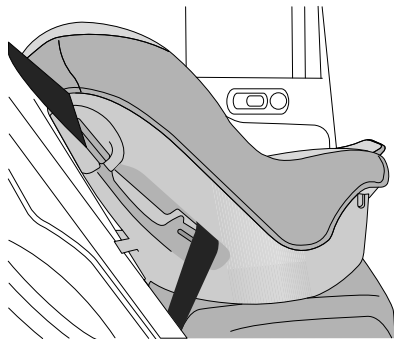
When the correct child restraint is used to secure the child properly in the rear seat and the child's seating position is correct, there is enough space between the child and the side airbag deployment region for the airbag to deploy without any hindrance, and thus provide the best protection.

Child Restraints Groups

Secured Using 3 Point lap Diagonal Belts



Please DO NOT put the rear facing child restraint in the front passenger seat, this may cause serious injury or even death.



3

Seats & Restraints

It is recommended that children should always be seated in the rear of the vehicle in a child restraint or restraint system, and fixed with 3 point, lap diagonal seat belts.

ISOFIX Child Restraint Systems



The ISOFIX anchorages in the rear seat are designed for use with ISOFIX systems only.



Child restraint anchorages are designed to withstand only those loads imposed by correctly fitted child restraints. Under no circumstances are they to be used for adult seat belts, harnesses, or for attaching other items or equipment to the vehicle.

Note: *When installing and using any child restraint system, always follow the manufacturer's instructions.*

Note: *The rear seats fitted to this vehicle are provided with the ISOFIX interface (as indicated by the arrow in the following image), these are designed to connect to an ISOFIX child seat.*

- 1 Fasten vehicle-approved ISOFIX child restraint systems to the mounting brackets.
- 2 When using ISOFIX mounting brackets for seat mounting, universally approved child restraint systems for ISOFIX may be used.

Seats & Restraints

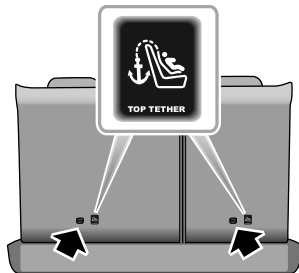


- 3 To fasten the Top tether strap of the child restraint system, route the tether strap under the head restraint and attach to the anchorage hook being careful not to twist the strap. If not using ISOFIX lower anchorages, using the seatbelt, complete the installation in line with the child restraint manufacturer's instructions.

Note: When using seat mounting, universally approved child restraint systems, Top tether must be used.

- 4 After installation apply suitable force to ensure the restraint is securely fastened.

Note: Please refer to the child restraint system manufacturer's instructions for details.



Seats & Restraints

Approved Child Restraint Positions

It is recommended that a child restraint system that complies with UN ECE-R44 or ECE-R129 standard are fitted in this vehicle. Check markings on the child restraint system.

Approved Child Restraint Positions (for non ISOFIX Child Restraints)

Mass Group	Seating Positions		
	Front Passenger	Rear Outboard	Rear Middle
0 group (less than 10 kg)	X	U	U
0+ group (less than 13 kg)	X	U	U
I group (9 ~ 18 kg)	X	U	U
II group (15 ~ 25 kg)	X	U	U
III group (22 ~ 36 kg)	X	U	U

Note: Description of letters in the table:

U = Suitable for universal child restraint systems approved for this mass group;

X = Seat position not suitable for child restraint systems in this mass group.

Seats & Restraints

Approved Child Restraint Positions (for ISOFIX Child Restraints)

Seating Position		Mass group categories			
		0 group	0+ group	I group	
		Rear facing		Forward facing	Rear facing
		Up to 29 lbs(13 kg)		20–40 lbs(9 ~ 18 kg)	
Front Passenger Seat	Size Class	Not ISOFIX equipped			
	Seat Type				
Rear Outboard Seat ISOFIX	Size Class	C,D,E ¹	A,B, BI ¹	C,D ¹	
	Seat Type	IL ²	IL ² ,IUF ³	IL ²	
Rear Centre Seat	Size Class	Not ISOFIX equipped			
	Seat Type				

Note: IL = suitable for particular ISOFIX child restraints of the semi-universal category. Please refer to the vehicle list recommended by child restraints manufacturer;

IUF= suitable for forward-facing ISOFIX child restraints of universal category approved for use in this mass group and ISOFIX size class;

¹ The ISOFIX size class for both universal and semi-universal child restraints is defined by the capital letters grade A to G. These identification letters are displayed on the ISOFIX child restraints;

Seats & Restraints

² At time of publishing the recommended group 0+ ISOFIX child restraint is the Britax Romer Baby Safe Plus;

³ At time of publishing the recommended group I ISOFIX child restraint is the Britax Romer Duo Plus.

Note: At time of publishing the recommended Group II-III ISOFIX child seat is the KidFix XP.

Table of I- Size child seats

The table gives a recommendation for which I- Size child seats suit which locations, and for what size of child.

The child seat must be approved in accordance with UN Reg R129.

Type of child seat	Front passenger seat	Rear outboard seats	Rear centre seat
I- Size child restraint systems	X	I-U	X

Note: I-U Suitable for use with forward and rear facing I- Size child restraint systems.

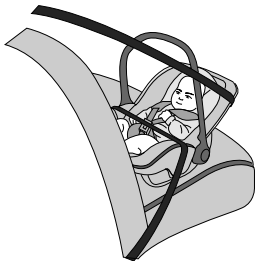
X Not suitable for use with I- Size restraint systems.

Seats & Restraints

Group 0/0+ Child Restraint



When the front passenger airbag is active, never place a rear facing child restraint on the front passenger seat, severe injury or even death can occur.



Child restraints that can be adjusted to lying position are most suitable for infants who are lighter than 10 kg (normally for those younger than 9 months) or those who are lighter than 13 kg (normally for those younger than 24 months).

Group I Child Restraint



When the front passenger airbag is active, never place a rear facing child restraint on the front passenger seat, severe injury or even death can occur.



Backward/forward child restraints are most suitable for infants whose weight is 9 ~ 18 kg (normally for those older than 9 months and younger than 4 years old).

Seats & Restraints

Group II Child Restraint



The diagonal section of the seat belt should pass across the shoulder and upper body, away from the neck. The lap section of the belt should pass across the hips, away from the abdomen.



The combination of child restraint and 3 point lap diagonal seat belt is most suitable for children whose weight is 15 ~ 25 kg (normally for those older than 3 years old and younger than 7 years old).

Group III Child Restraint



The diagonal section of the seat belt should pass across the shoulder and upper body, away from the neck. The lap section of the belt should pass across the hips, away from the abdomen.



The combination of child booster seat and vehicle 3 point lap diagonal seat belt is most suitable for children whose weight is 22 ~ 36 kg and whose height is below 1.5 m (normally for those about 7 years old or those older than 7 years old).

Starting & Driving

104 Keys

107 Child Proof Locks

108 Anti-theft Systems

114 Starting and Stopping the Power System

118 Pedestrian Alert System

119 Economical and Environmental Driving

122 Charging Requirements

138 Electric Drive Transmission

146 Brake System

156 Tyre Pressure Monitoring System (TPMS)

158 Parking Aid

161 Adaptive Cruise Control System

170 Driving Assist System

179 Load Carrying

Keys

Overview



Please keep the spare key in a safe place - not in the car!

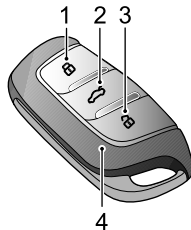


It is recommended that spare keys are not kept on the same key ring, since this may cause interference and prevent correct key recognition and therefore prevent the correct operation of the vehicle power system.



The smart key contains delicate circuits and must be protected from impact and water damage, high temperature and humidity, direct sunlight and the effects of solvents, waxes and abrasive cleaners.

Your vehicle is supplied with two smart keys, each one contains a back up mechanical key blade, this will operate the driver door mechanical lock. The smart keys supplied are programmed to the security system on the car, any key that is not programmed to the car will not operate the keyless entry function or the vehicle immobiliser.



- 1 Lock Button
- 2 Tailgate Button
- 3 Unlock Button
- 4 Smart Key

The smart key only works within a certain range. It's working range is sometimes influenced by the key battery condition, physical and geographical factors. For safety consideration, after you lock your vehicle by the smart key, please recheck if the vehicle is locked.

If your key is lost/stolen or broken, a replacement can be obtained from an MG Authorised Repairer. The lost/stolen

Starting & Driving

key can be deactivated. If the lost key is found, an MG Authorised Repairer can reactivate it.

Note: Any key made privately may not allow your car to enter READY mode, and may affect the safety of your car. To obtain a suitable key replacement, it is recommended that you can consult an MG Authorised Repairer.

Note: The new key cannot be offered to you immediately because it requires programming to the vehicle by the MG Authorised Repairer.

Note: Avoid operating the smart key close to strong radio interference devices (such as notebook computers and other electronic products), the normal function of the key may be affected.

Replacing the Battery

Please use the picture guide to replace the smart key battery if the following condition occur:

- The smart key locking/unlocking function range is apparently reduced.

- The message center display shows “Remote Key Low Battery, Please Replace.”

A



B



C



D



- 1 Press the button (A) on the smart key to eject the decorative trim.
- 2 Remove the backup mechanical key (B) in the arrowed direction.
- 3 Using a suitable flat bladed tool, insert the tool into the side of the key (C), carefully prise off the battery cover and separate the upper and lower casings (D).

Starting & Driving

- 4 Remove the battery from the slot.
- 5 Put the new battery in the slot, and make sure it is in full contact with the slot.

Note: Make sure that the polarity of battery is correct ('+' side facing down).

Note: It is recommended to use a CR2032 battery.

- 6 Refit the cover and press tightly, ensuring the gap around the cover is even.
- 7 Refit the mechanical key, and refit the decorative trim.
- 8 Operate the vehicle power system to resynchronize the key with the vehicle.

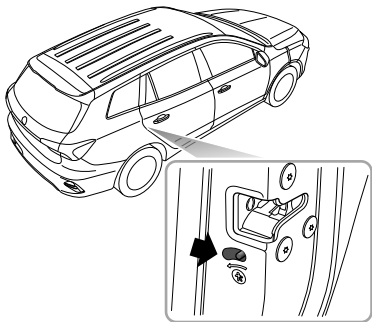
IMPORTANT

- Use of an incorrect or inappropriate battery may damage the smart key. The new replacement's rated voltage, sizes and specifications must be the same as the old one.
- Incorrect fitting of the battery may damage the key.
- Disposal of the used battery must be strictly in accordance with relevant environmental protection acts.

Child Proof Locks



NEVER leave children unsupervised in the car.



- Move the lever to the unlock position in the reverse direction of the arrow to disable the child proof lock. With the child proof locks engaged, the rear doors cannot be opened from inside the car, but can be opened from outside the car.

Steps for enabling or disabling the child proof locks are as follows:

- Open the rear door at corresponding side, move the child proof lock lever to the lock position in the direction of the arrow to engage the child proof lock;

Anti-theft Systems

Your vehicle is fitted with a power immobiliser and a body anti-theft system. To ensure maximum safety and operation convenience, we strongly recommend you read this section carefully to fully understand the activation and deactivation of anti-theft systems.

Power Immobilisation

Power Immobilisation is designed to safeguard the vehicle from theft. The power immobilisation system can only be deactivated to start the car by using the matched key.

When the START/STOP Switch is pressed and a valid key is detected inside, the immobiliser is deactivated automatically.

If the message centre displays "Smart Key Not Detected" or "Put Key Into Backup Position" or the power immobiliser system warning lamp illuminates, please put the smart key at the backup position (refer to "Alternative Starting Procedure" in "Starting and Stopping the Power System" section), or try to use the spare key. If the vehicle will still not enter READY mode, please contact an MG Authorised Repairer.

Body Anti-theft System

Locking and Unlocking

When the vehicle is locked, the indicator lamps flash three times; when it is unlocked, the indicator lamps flash once.

Key Locking

- Using the remote key to lock: press the lock button on the remote key to lock the vehicle after closing the doors, bonnet and tailgate.
- Using the mechanical key to lock: partially operate the door release handle, using a suitable flat blade tool, insert the tool into the underside of the trim and carefully remove the door lock trim cover, insert the key into the driver door lock and turn counterclockwise to lock the car.

Key Unlocking

- Using the remote key to unlock: press the unlock button on the key to unlock the car.
- Using the mechanical key to unlock: partially operate the door release handle, using a suitable flat blade tool, insert the tool into the underside of the trim and carefully remove the driver door lock trim cover, insert

Starting & Driving

the key into the driver door lock and turn clockwise to unlock the car.

Note: *If the vehicle power system is not switched to the ACC/ON/READY position within 15 seconds after the vehicle is unlocked with the mechanical key, the immobilisation alarm will be triggered.*

Note: *If no panels are opened within about 30 seconds after the vehicle is unlocked by using the remote key, all doors will automatically re-lock.*

Operation of Door Lock System (Keyless)

The keyless entry system can lock and unlock the doors and tailgate as long as you carry the smart key and approach the car.

IMPORTANT

The smart key must be within 1.5 metres of the vehicle for the keyless system to operate correctly.

Keyless Locking

After switching the vehicle power system to OFF using the START/STOP Switch and exiting the car, press the door

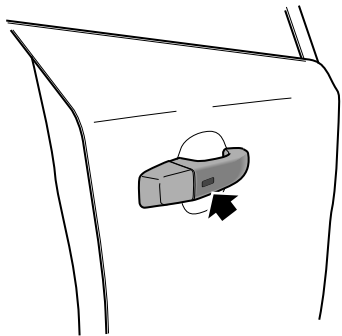
handle button once before moving away from the car to lock all doors and tailgate (no need to press the lock button on the key). Note, this will also arm the alarm and immobilise the vehicle.

Keyless Unlocking

Press the button on the front door handle once to unlock the car, then pull the door handle to open the door.

Note: *When the vehicle is locked, if you are within the smart key range and operate the door handle button, but carry out no further action, after about 30 seconds the vehicle will automatically re-lock itself to remain secure.*

Starting & Driving



IMPORTANT

After the door is locked by using the key, press the button on the door handle to unlock the car. If the car cannot be unlocked or locked normally, seek an MG Authorised Repairer.

Mislock

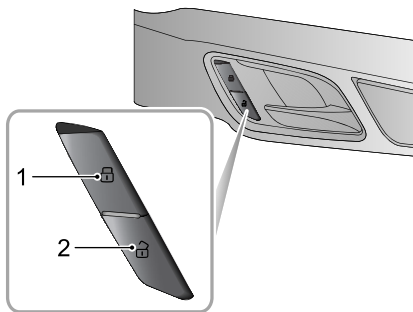
If the driver's door is not fully closed when the smart key lock button is pressed, or the vehicle power system has not been switched OFF, the vehicle horn will sound once, indicating a mislock. In this case, none of the doors will lock, the alarm system will not be armed and the direction indicator lights will not flash.

If the driver's door is closed, the passenger door, bonnet and tailgate are not fully closed, the horn sounds once to indicate mislock when the car undergoes locking operation. However, the 'partial arming' attributes of the security system will enable as much of the system to be armed as possible (all fully closed doors, bonnet or tailgate apertures will be protected, but an open door will not!). The alarm indicator will flash. As soon as the open aperture is closed, the system will automatically revert to an armed state

Anti-Theft Alarm Sounder

If the anti-theft alarm has been triggered, the car horn will sound continuously. Press the UNLOCK button on the key, the anti-theft alarm will be deactivated.

Interior Lock and Unlock Switch



- 1 Lock Switch
- 2 Unlock Switch

When the vehicle anti-theft system is not set, press the lock switch (1) after closing all doors to lock all doors; press the unlock switch (2) to unlock all doors.

Note: *If the vehicle anti-theft system is set, pressing the lock/unlock switch will not lock/unlock the doors but will trigger the alarm system.*

If the doors, bonnet and tailgate are closed, press the interior lock switch, the yellow indicator on the interior lock switch illuminates.

If a mislock is caused by a non-driver door, tailgate or bonnet, press the interior lock switch, the yellow indicator on the interior lock switch illuminates.

Starting & Driving

Interior Door Handles

Use the interior door handle to open the door:

- 1 Pull the interior door handle once to unlock the door.
- 2 Pull the interior door handle again to open the door.

Speed Lock

All the doors will be locked automatically when the road speed exceeds 15 km/h.

Automatic Unlock

When the START/STOP is switched to the OFF position, all the doors will be unlocked automatically.

Tailgate



If the tailgate can not be closed or the weatherstrip between the body and tailgate is fractured, be sure to close all windows during driving, select the face distribution mode of the air conditioner, and set the blower to maximum speed, so as to decrease exhaust fumes entering the vehicle.

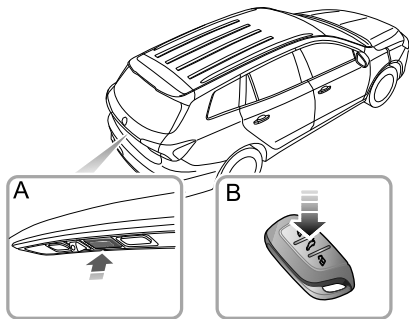
Tailgate Open Mode

The manual tailgate can be opened by using the following 2 methods:

- 1 Long press the release button on the smart key (B) for more than 2 seconds to unlock the tailgate. Then the tailgate can be lifted open.
- 2 When the vehicle is unlocked, directly press the release switch (A) on the tailgate. Then the tailgate can be lifted open.

Note: On vehicles equipped with keyless entry, if a matched key is detected within a 1m range of the tailgate press the release switch (A) on the tailgate, the tailgate can then be lifted open.

Starting & Driving



Starting and Stopping the Power System

START/STOP Switch



The keyless START/STOP Switch is located in the fascia to the right of the steering column, it is a push button style switch. To operate the switch the smart key must be inside the vehicle.

The operational status displays are as follows:

Indicator Off (OFF)

If the switch has not been operated and there are no indicators illuminated, the power system is OFF. The power electric door mirrors remain operational.

Yellow Light (ACC)

Pressing the START/STOP Switch without the footbrake being applied whilst the vehicle power system is OFF will place the system in the ACC state, this will illuminate the yellow indicator in the switch button. The ACC position allows operation of certain ancillaries such as power windows.

Green Light (ON/READY)

- Whilst in the ACC state, pressing the START/STOP Switch without the footbrake being applied will place the system in the ON state, the green indicator will illuminate. This will allow some electrical systems to operate.
- Pressing the START/STOP Switch with P selected and the footbrake applied will place the vehicle in the READY state, the green indicator will illuminate. This indicates that all electrical systems will operate and the vehicle is ready to be driven.

Starting & Driving

Note: Whilst in the OFF state, if the driver exits the vehicle leaving the smart key inside and closes the driver's door, subsequent re-opening of the driver's door will cause a buzzer to sound and display a warning message in the instrument pack message centre to indicate that the key is still in the car.

Note: To remove the electronic shift control knob from P the vehicle must be in an ON/READY state and the footbrake applied.

If your car is subject to strong radio signals the keyless entry and start systems may suffer from interference and not function correctly. Please see the 'Alternative Starting Procedure'.

READY Mode

Setting the power system into READY mode:

- 1 Ensure all unnecessary electrical loads (include AC) are switched off .
- 2 Ensure the parking brake is applied .
- 3 Ensure P or N is selected (If the shift control knob is in any other position the power system cannot be switched to the ON/READY state).
- 4 Press brake pedal.
- 5 Press the START/STOP Switch (do not hold the button in, release immediately).
- 6 The green indicator will illuminate and READY will be displayed in the instrument pack message centre.

Cold Climates

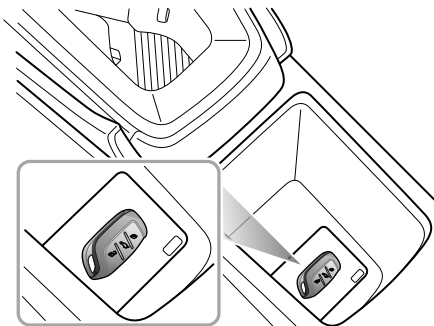
In temperatures of -10°C and below, power system starting time may increase. It is essential that all unnecessary electrical equipment is switched off while cranking.

Starting & Driving

IMPORTANT

- If starting the engine has failed for 3 consecutive times, seek help. When attempting to start the car consecutively, please allow 10 minutes between attempts to allow battery restoration and engine cooling, failure to do this may result in battery or engine damage.
- When the power system is turned off, do not leave the START/STOP Switch in an ACC or ON/READY state for long periods of time. Excessive use of electrical equipment may lead to a discharged battery.
- The vehicle is equipped with an anti-theft system. Any independently made key cannot start the vehicle.
- Your car is controlled by electronic control systems. When starting the engine, please make sure there are no electronic devices that can create electromagnetic interference near the vehicle. This may cause issues with the electronic control systems on the vehicle.

Alternative Starting Procedure



If the vehicle is located in an area where there are strong radio signals causing interference or the smart key battery condition is low, please use the following steps to attempt to start the car:

- I Please open the armrest box cover and the armrest box pad below, and then open the protective cover, Place the smart key centrally in the centre console cup

holder cubby box with the buttons facing upward - as shown in the illustration.

- 2 Ensure P or N is selected, press the brake pedal and then press START/STOP Switch to power the vehicle.

Note: The Alternative Starting Procedure should only be required if the smart key battery is very low or flat. Once the vehicle has been removed from the area of excessive radio interference the keyless entry and START/STOP systems should return to normal.

Switching the Power System OFF

Setting the power system to OFF:

- 1 After bringing the car to a halt, ALWAYS maintain brake pedal application.
- 2 Using the electronic shift control knob select (P) and apply the parking brake.
- 3 Please check that the parking brake is applied.
- 4 Press the START/STOP Switch to shut down the power system.

Note: Please observe the park brake warning light and message displayed in the instrument pack message centre confirming that the parking brake is applied before exiting the vehicle.

Pedestrian Alert System

In order to improve safety, your car is fitted with a Pedestrian Alert System. When the vehicle is travelling at a low speed, the system controls a speaker that sounds to remind pedestrians in the vicinity of your presence.

Sound Strategies

The speaker sounds when all of the following conditions are met:

- 1 The vehicle is READY;
- 2 The Pedestrian Alert System is fault free;
- 3 During acceleration, the vehicle speed is less than 19 mph (30 km/h); during deceleration, the vehicle speed is less than, or equal to 15 mph (25 km/h).

Economical and Environmental Driving

Running-in

The brakes and tyres need time to 'bed-in' and adjust to the demands of everyday motoring. During the first 1500 km, please avoid heavy braking where possible.

Economic Driving

The way in which you drive your car has a significant bearing on the life span of the car and battery.

Drive Smoothly

Anticipating obstructions and slowing down well in advance, avoids the need for unnecessary acceleration and harsh braking. A smooth driving style not only improves battery/distance performance, but can reduce the amount of wear on the brakes and tyres.

Avoid Driving at Maximum Speed

Power consumption and noise levels rise significantly at higher speeds.

Driving Foreseeingly

Avoid roads with traffic congestion or traffic jams. Foresee road congestion as early as possible and keep enough distance to the front car during driving, and slow down in time. Avoid stamping on the brake pedal for long time if there is no braking need, which will cause friction plate overheating and premature wear.

Starting & Driving

Use of Electrical Equipment

Use of electrical equipment will reduce the power available from the battery. Whilst it is essential to maintain a comfortable interior environment, excessive use of system such as A/C will increase power consumption and reduce the vehicle range.

Driving in Special Environment

Driving in Rain or Snow



Emergency braking, accelerating and steering on slippery roads will reduce the vehicle's handling performance and grip.

- When raining the windows may fog, reducing visibility (Use the Air-conditioning demist function).
- Grip will be reduced, so please drive carefully.
- Reduce speed when it rains. Avoid aquaplaning (the effect of a film of water between the tyres and the road) affecting steering and braking performance.

Driving through Water

Avoid driving through floods after heavy rain, which may lead to serious damage to the vehicle.

Check and Service

Check Tyre Pressures Regularly

Under-inflated tyres increase the rolling resistance of the car which, in turn, increases power consumption. Over or under-inflated tyres wear out more rapidly and also have a detrimental effect on the car's handling characteristics.

Do not Carry Unnecessary Loads

The additional weight of unnecessary loads wastes power, especially in stop/start conditions where the car is frequently required to set off from stationary.

Maintain Correct Four-Wheel Alignment

Maintain the correct wheel alignment. Avoid collisions with the kerb and reduce speed on uneven road surfaces. Out of specification wheel alignment will not only lead to excessive tyre wear, but also increases the load and power consumption.

Starting & Driving

Charging Requirements



Under normal circumstances it is strongly recommended that you use a slow charging method, avoid constant or regular use of rapid chargers.



Prior to using any charging equipment please inspect the sockets, plugs and cables for any damage. DO NOT use any equipment that shows signs of misuse or damage.



It is recommended that the charging cable be connected to the charging device before connecting to the vehicle and charging commences.



DO NOT attempt to switch the vehicle power system to READY during charging.



After charging completion, switch off the charger (where necessary), disconnect the cable from the vehicle, fit the waterproof blanking plugs, close the charging point door. If necessary you can then disconnect the cable from the charger (where applicable).



Whilst charging the car on rainy days, where possible, please avoid connecting the charger during torrential rain or storms. If excessive water is evident around the charging plugs please use a suitable cloth to dry the area as best possible before removing the waterproof blanking plugs and connecting the charging cables.



DO NOT touch the charging connector or charging plug when your hand is wet.



DO NOT stand in water or snow when connecting or disconnecting the charging cable.

Starting & Driving



DO NOT attempt to charge when the charging connector and plug are wet.



Always keep the charging connector and charging plug in clean and in a dry condition. Be sure to keep the charging cable in a condition where there is no water or moisture.



Only use the correct charger for charging the electric vehicle. Using any other charger or connector configuration may cause failure.



Take care not to drop the charging connector. This could result in damage.



STOP charging or discharging immediately if you find anything abnormal, such as sparks, burning or smoke.



Always hold the charging connector handle or plug when connecting or removing the charging cable, if you pull the cable itself (without using the handle), the internal wires may disconnect or get damaged. This may lead to electric shock or fire.



High voltage charging or discharging equipment can cause interference with electronic medical devices. When using medical electrical devices such as pacemakers, please consult your doctor about whether charging or discharging your electric vehicle will impact the operation of the device. In some instances, electromagnetic waves that are generated from the charger can seriously impact medical electric device operation.



NEVER use a high powered jet wash directly on the charger door or to clean around the charge point.

Starting & Driving

Charging Your Vehicle at Home

Whilst your MG has been supplied with a emergency home charging kit, it is essential that you check with a qualified electrician that the infrastructure of your property will support the charging equipment. Please seek qualified advice that your current electrical supply and circuits will support the requirements of the charging equipment.

Installed Charging Points

Various companies will supply and install charging points to your property, MG insist that only qualified reputable suppliers and installers are used - failure to have the correct equipment installed by a qualified professional may result in overloaded circuits and fire.

Home Charging Guide

ONLY use certified approved equipment.

ONLY use qualified suppliers and installers.

When the battery is fully charged, disconnect the cable plug from the vehicle socket - if it is necessary to interrupt the charging of the vehicle, isolate the power supply first, then disconnect the vehicle plug.

NEVER allow water or fluids to enter or contaminate your charger or vehicle charging sockets.

NEVER use damaged charging points, equipment or sockets.

STOP charging immediately if you see anything unusual, smell something burning or see sparks.

ALWAYS follow the operating instructions supplied with your charging equipment.

Note: The charging point and power supply infrastructure must be installed and serviced by suitable qualified personnel from an approved installation company using only the materials recommended by them.

Starting & Driving

Charging and Medical Condition Awareness



High voltage charging equipment can create areas of strong electromagnetic interference, this may cause operational issues with electronic medical devices.

When using medical electrical devices such as pacemakers or cardioverter defibrillators (ICD's) please consult your doctor about whether charging or discharging your electric vehicle will impact on the operation of the device. In some instances, electromagnetic waves that are generated from the charger can seriously impact medical electric device operation.

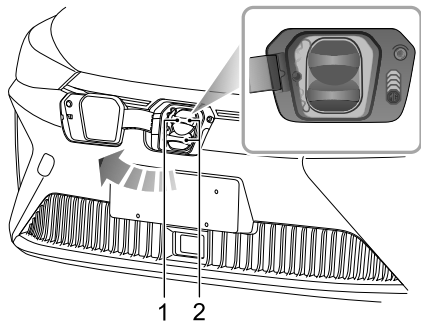
Note: *There are no cautions issued about medical devices when the car is not charging or charging. It is perfectly safe for individuals fitted with pacemakers or cardioverter defibrillators to drive or ride in the vehicle.*

Charging Port

The charging port is located behind the charging port door centrally mounted in the front bumper.

To open the door, ensure the vehicle is unlocked, press the charging port door and release - the door will open to reveal the waterproof plug covers.

Remove the plug covers to reveal the combined charging port.



Starting & Driving

- 1 Slow and Fast Charge Port - 7 Pin - Type 2 Plug
- 2 Rapid Charge Port - 7 Pin and 2 Pin - CCS Type Plug

The upper plug covers the 7 pin slow/fast charging socket (1), the lower plug covers the rapid charging socket (2).

Note: In order to use the rapid charger socket both waterproof plug covers will require removal.

After charging, refit the waterproof plug covers, close the charging port door, push the door fully home until the latch locates.

ALWAYS ensure that any excess water is removed from the port area before connecting any charging device.

Charging Port Electronic Lock

In order to prevent the charging connector and cable being disconnected inadvertently during charging, the charging socket features an electronic locking mechanism.

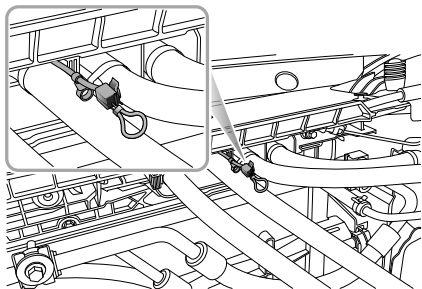
The electronic lock is activated as soon as the vehicle begins charging, and remains in a locked state until the charging is finished or interrupted.

Whilst the charging cable is connected DO NOT attempt to remove the plug.

Manually Releasing the Charging Port Lock in Emergency Situations

The vehicle features an emergency release device for the charging port lock.

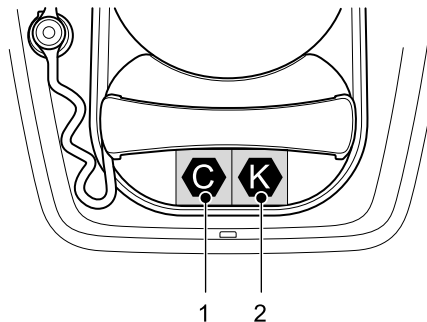
To access the manual release, raise the bonnet and remove the front compartment decorative cover - see picture.



Pull the release cable handle, remove the connector plug whilst maintaining tension on the cable this will release the locking device.

Electric Charging Identifier Label *

Identifier Labels on Charging Port



- 1 AC charging identifier label
- 2 DC charging identifier label

Precautions for AC or DC charging



After opening the charging port door, check the charging identifier symbol on the plug cover. Check the charging

Starting & Driving

connector identifier symbol on the AC or DC charger cable. After checking that the alphabetic characters of the charging identifier symbols match, proceed the next charging step.

Note: Risk of failure, fire or injury etc. when using a charging connector with unmatched identifier symbols.

Electric charging identifier label symbol table

Supply Type	Configuration	Type of Accessory	Voltage range	Identifier
AC	7P	Vehicle connector and vehicle inlet	≤480V	
DC	7P+2P	Vehicle connector and vehicle inlet	50V-500V	

Rapid Charging

Note: Please read any equipment operating instructions carefully prior to using the rapid charging station. Each type of charger may use different instructions.

Note: The cable of the charging plug should be shorter than 30 m.

If you have any doubts please seek professional assistance.

Rapid Charging Safety Precautions

- Before connecting the rapid charger, switch the vehicle power system OFF and wait 10 seconds.

Note: If at any time during the charging process you should want to check the state of charge, please switch the vehicle power system to the ON position. The high voltage battery state of charge will be displayed in the message centre in the instrument pack.

Slow Charging

Note: *Carrying out a full slow charge is the only way for the high voltage battery to reach the optimal equilibrium state (equalisation charge).*

High voltage battery chargers are available with various power outputs. Chargers with outputs of up to 11kW are generally considered as slow chargers, larger than 11kW are considered as fast chargers and rapid chargers are available in AC or DC outputs. Generally the AC chargers are rated at 43kW and the DC chargers at 50kW plus.

Charging times are dependent on charger output.

To carry out an equalisation slow charge, it is recommended that the charger output does not exceed 11kW.

Note: *Chargers of up to 7kW power output are supplied via standard household single phase power. Any chargers that are rated above this, 11kW for example, will require a 3 phase power supply.*

AC Charging Points

IMPORTANT

Please ensure that only charge points that meet IEC 61851 and IEC 62196 are used to connect to your vehicle.

Note: *Before using the AC charging points, please read the device operating instructions carefully.*

Using an AC charging device:

- 1 Ensure vehicle power system is OFF and all doors are closed.
- 2 Open the charging port door, remove the waterproof plug cover from the 7 pin charging plug connector.
- 3 Plug the cable from the charger point into the vehicle. Lock the vehicle.
- 4 On completion of the charge unlock the vehicle and disconnect the plug from the vehicle.
- 5 Ensure the charge socket is free from debris, fit the waterproof plug cover. Close the charging point door.

Note: *If at any time during the charging process you should want to check the state of charge, please switch*

the vehicle power system to the ON position. the high voltage battery state of charge will be displayed in the message centre in the instrument pack.

Residential Charging

Your vehicle will have been supplied with a residential charging device. This device can be plugged into a standard household 3 pin socket.

During the charging operation the vehicle power system must be OFF. Carry out the following procedure to charge the car using the charger supplied with the vehicle:

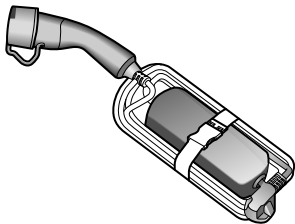
- 1 Ensure vehicle power system is OFF and all doors are closed.
- 2 Open the charging port door, remove the waterproof plug cover from the 7 pin charging plug connector. Ensure the surroundings are clean, dry and free from debris.
- 3 Connect the 7 pin charging plug to the socket on the vehicle.
- 4 Connect the charging device 3 pin plug to the domestic electricity supply. Lock the vehicle.
- 5 On completion of the charge unlock the vehicle, disconnect the charging cable from the vehicle, and then the domestic plug.

Starting & Driving

- 6 Ensure the charge socket is free from debris, fit the waterproof plug cover. Close the charging point door.

Note: *If at any time during the charging process you should want to check the state of charge, please switch the vehicle power system to the ON position. The high voltage battery state of charge will be displayed in the message centre in the instrument pack.*

Note: *If the vehicle is unlocked during the charging process, charging will be suspended. Charging will resume after 1 minute. If charging does not automatically resume after locking the vehicle, it may be necessary to remove and refit the charger cable.*

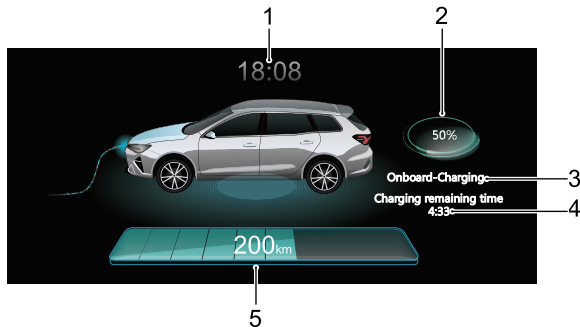


Slow charging kit (supplied with the vehicle)

Starting & Driving

Charging Information

At the beginning of the charging process, the following information will be displayed within the instrument pack message centre.



- 1 Current time
- 2 High voltage battery pack status
- 3 Charging status
- 4 Charging time until full
- 5 Driving range

Note: The information displayed on the instrument pack may be different based on vehicle configuration.

Equalisation Charging

Equalisation charging means that after a normal charging process the battery management system will enter a mode where it will attempt to equalise the charge of every battery cell.

If an equalisation charge has not been carried out for some time the message centre in the instrument pack will display 'Please Charge for BMS Balance' to remind the user to maintain the high voltage battery pack. Please refer to 'Slow Charging' in the 'Starting and Driving' section.

On average it takes at least 6.5 hours (single phase power) or 4.9 hours (three phase power) to complete a charge that includes the equalisation charge.

Charging Times

Charging times of the high voltage battery can vary depending upon numerous factors, these include: current capacity, charging mode, ambient temperature and device type/power.

Note: *Ambient temperatures have an effect on charging times, it may take longer to complete a charge when the ambient temperatures are low.*

Rapid Charging Time

The charging time of different fast charging devices varies , it will take approximately 40 minutes for charging from alarm status (low battery warning lamp illuminates) to 80% (80% of electric quantity displayed on the instrument).

Slow Charging Time

On average it takes approximately 6.5 hours (single phase power) or 4.4 hours (three phase power) to charge the high voltage battery from low battery warning to 100% (charge quantity can be checked using the instrument pack).

- At low temperatures the charging time will be extended.

Starting & Driving

- If an equalisation charge has not been conducted for a long time the required charge time will be extended.
- An equalisation charge must be carried out prior to using the car after a long period of storage or non use. In these cases the charging time will be extended.

Note: The slow charging notes above relate to using an AC charging device . Use of the slow charging device supplied with the car using a domestic power supply can increase the charging times by up to 3 times.

Starting & Driving

Indicative Charging Times

Note: *These times are only a guide.*

Rapid charging		From alarm status to 80%, it takes almost 40 minutes.		
Slow charging	Residential electricity	From alarm status to 100%, it takes almost 20.8 hours.	From alarm status to 100% and equalisation, it takes almost 21.3 hours.	For first use after parked or stored status to 100% and equalisation, it takes approximately 22.8 hours.
	AC charging station (single phase power)	From alarm status to 100%, it takes almost 6.5 hours.	From alarm status to 100% and equalisation, it takes almost 7 hours.	For first use after parked or stored status to 100% and equalisation, it takes approximately 8.5 hours.
	AC charging station (three phase power)	From alarm status to 100%, it takes almost 4.4 hours.	From alarm status to 100% and equalisation, it takes almost 4.9 hours.	For first use after parked or stored status to 100% and equalisation, it takes approximately 6.4 hours.

Note: *Alarm status refers to the high voltage battery low warning displayed in the instrument pack message centre. 100% refers to the high voltage battery state of charge displayed in the instrument pack message centre.*

Starting & Driving

Discharging

The vehicle is equipped with a discharge function, this can convert the high voltage DC power in the high-voltage battery pack into domestic AC power.

This discharge function can be realized by using a discharge kit.

Note: Users have the opportunity to purchase the discharge kit from an MG Authorised Repairer.

To use the discharge function, follow the instructions below:

- 1 Unlock the vehicle and access the AC charging port (the charging port is also the discharging port).
- 2 Insert the discharge gun connector into the discharge port socket.
- 3 Access the energy management interface in the entertainment display screen, ensure the cut-off power of discharge is set. After setting, click the start discharging button, the electronic lock will lock the discharge gun in place and the vehicle will enter the discharge state. At this time, do not attempt to

remove the discharge gun using force, this will damage the locking mechanism.

- 4 The user is able to click the stop discharging button in the entertainment display screen to stop the discharge, or stop the discharge after the power is discharged to the set cut-off value. At this time the electronic lock will automatically be released and the discharge gun can be removed.
- 5 Make sure there is no debris or foreign matter in the charging port, fit the charging port cover and close the charging point door.

Note: After the vehicle starts discharging, if the entertainment display goes off, the vehicle will still maintain the discharging condition.

Note: During discharge, the START/STOP switch can be placed in the "ON" position to check the current power status and driving range of the high-voltage battery pack via the instrument cluster.

Note: During the discharge process, the user can still set the discharge power cut-off point.

Note: During discharge, the vehicle cannot be placed in “READY” mode.

Note: Using the discharge function will reduce the driving range of the vehicle.

IMPORTANT

- Before beginning the discharge operation, check the condition of the discharge connector and gun.
- If it is necessary to use the discharge function on wet days, please pay particular attention in protecting the discharge port area and discharge gun from water, rain or snow.
- In cases of abnormal phenomena such as peculiar smells, smoke emission or overheating etc during the discharge process, the electrical circuit **MUST** be disconnected immediately and the discharge operation stopped.

Electric Drive Transmission

Instructions

The following information is very important. Please read carefully before use:

- The electric drive transmission consists of a high voltage unit. **DO NOT** touch any drive components unless you have the correct training and qualifications.
- Before setting the vehicle power system to ON, close the door, make sure the vehicle is in P or N gear, apply the brake pedal and activate the EPB.
- When the vehicle power system is READY, the brake and EPB are still maintained, shift to the required gear.
- Release the parking brake but maintain brake pedal application until you are ready to manoeuvre. On a flat road, once the brake pedal is released, the vehicle may automatically start moving slowly without applying the accelerator pedal.

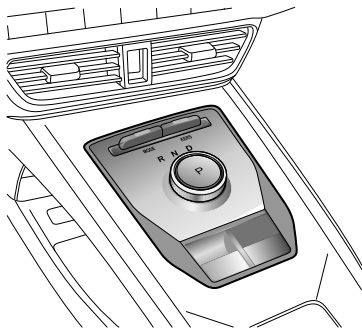
Gear Shift Control



DO NOT press the shift control knob whilst driving .



DO NOT turn the shift control knob to either P or R from the D position whilst driving or whilst the vehicle is in motion. This will cause severe damage to the electric drive transmission or cause an accident.



The shift control knob defaults to the intermediate steady position, there are two unsteady positions clockwise and counterclockwise, the shift control knob will return to the intermediate steady state position once released.

Starting & Driving

- P Park

When the shift control knob is in this position, the electronic parking brake has been applied. Only select this gear when the vehicle is stationary.

Note: *The electronic parking brake system must be released via the EPB switch. See “Electronic Parking Brake (EPB)” under the “Brake System” section.*

Note: *When the electronic parking system fails to be activated, the vehicle will enable the parking function of the electric drive transmission, the P gear indicator on the shift control knob will flash. Operating the shift control knob to select any other gear will exit Park.*

The shift control knob can be pressed to select and engage P.

If the START/STOP Switch is operated to power the vehicle OFF, P will automatically be selected and engaged.

If the brake pedal is released, the driver seat belt is unfastened and the driver door is opened, P will automatically be selected and engaged.

- R Reverse

Select this gear only when the vehicle is stationary and you wish to drive backwards.

Apply the brake pedal, turn the shift control knob counterclockwise to the end and release. The spring loaded shift control knob will return to a central position and the vehicle will enter Reverse.

- N Neutral

Select this gear when the vehicle is stationary (for example, waiting for traffic lights).

When in Park, apply the brake pedal, turn the shift control knob clockwise or counterclockwise to the first non-steady state position and release. The spring loaded shift control knob will return to a central position and the vehicle will enter Neutral.

In Reverse, turn the shift control knob clockwise to the first non-steady state position and release. The

Starting & Driving

spring loaded shift control knob will return to a central position and the vehicle will enter Neutral.

Whilst D is selected, turn the shift control knob counterclockwise to the first non-steady state position and release. The spring loaded shift control knob will return to a central position and the vehicle will enter Neutral.

- D Drive

This is used for normal driving.

Whilst in Park, apply the brake pedal, turn the shift control knob clockwise to the end and release. The spring loaded shift control knob will return to a central position and the vehicle will enter Drive.

In R or N, turn the shift control knob clockwise to the end and release. The spring loaded shift control knob will return to a central position and the vehicle will enter Drive.

When the vehicle is stationary and has remained in Neutral for more than 2 seconds, please apply the brake pedal, turn the shift control knob clockwise to the end and release. The spring loaded shift control knob will

return to a central position and the vehicle will enter Drive.

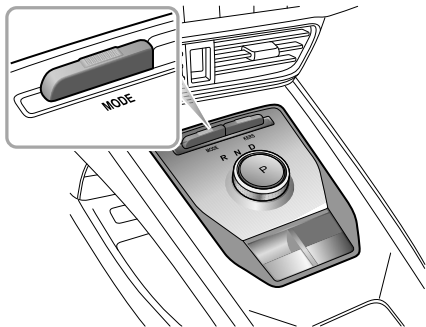
For safety reasons ALWAYS apply the brake pedal when shifting between R and D positions.

Driving Mode



Please avoid switching between Driving Modes while driving. This may divert the driver's attention away from road conditions and cause an accident.

In each of the different driving modes, the control system uses different control strategies for output control.



The driver can select three driving modes by operating the MODE switch:

1 Eco Mode

The vehicle is in the state of low energy consumption, which is used for energy-saving driving.

2 Comfort Mode

The vehicle is balanced for daily driving.

3 Sport Mode

Sport Mode concentrates on providing more power to enhance the performance.

Constant use of Sport Mode will increase energy consumption.

When the driving mode is switched, the message centre will display: Eco, Comfort, Sport.

Selecting different driving modes will also automatically select the settings of other systems such as electronic steering and A/C - please see the following chart:

Starting & Driving

Driving Mode	Power Mode	Steering Mode	A/C Mode	Brake Mode
Eco	Eco	Urban	Eco	Normal
Comfort	Normal	Normal	Normal	Normal
Sport	Sport	Dynamic	Sport	Sport

Note: *While Eco Mode is selected, the A/C will operate in a low energy consumption state to provide an increase in vehicle power.*

Energy Regeneration

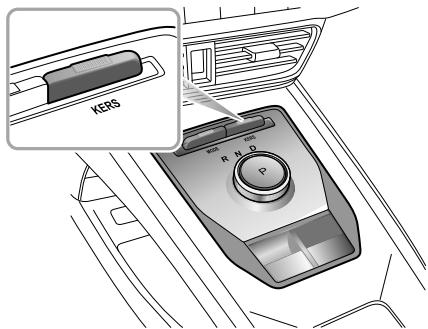


Deceleration caused by energy regeneration is NOT a substitute for braking safely. The driver must ALWAYS be prepared to make braking manoeuvres to maintain safe driving.

When the vehicle is in a braking, over-run or coasting state, the energy regeneration function is activated, and the motor converts part of the kinetic energy of the vehicle into electric energy, which is then stored in the high voltage battery pack.

Energy cannot be regenerated or is limited under some conditions, such as:

- N gear is selected (During driving do not coast in N gear) ;
- During torque intervention (SCS or traction control operation) ;
- High voltage battery pack is fully charged;
- High voltage battery pack temperature is too high or too low.



The driver can select three energy regeneration levels by operating the KERS switch :

1 Heavy

Heavy Level: Maximum energy is regenerated, the vehicle exhibits shorter coasting distances and a strong sensation of over-run drag or motor braking. The message centre displays ③ .

2 Moderate

Moderate Level: Moderate energy regenerated. The message centre displays ② .

3 Light

Light Level: Minimum energy is regenerated, the vehicle exhibits longer coasting distances and no significant sensation of over-run drag or motor braking. The message centre displays ① .

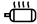
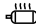
Note: It is recommended to choose *Light* or *Moderate* levels on surfaces that have low adhesion levels (e.g. icy roads).

Protection Mode



When parking the vehicle, please ensure the vehicle is parked safely and that all traffic by-laws are observed.

Motor Overheating Protection of Electric Drive Transmission


The electric drive transmission may become very hot in a high-temperature environment with frequent starting, frequent rapid acceleration and deceleration, long-term continuous steep climbing, and overload of the electric drive transmission. In order to prevent damage to the motor, the system will perform an overheating protection function, the warning indicator  illuminates, and the warning message "Motor Overheating" displays simultaneously. After a few seconds, the warning message will disappear but the warning indicator  will remain on.

In this case, park your vehicle safely or keeping a low load, continue to drive your vehicle at a constant speed to cool the motor. Only when the motor temperature has


decreased, the warning indicator is off, and the warning message disappears, can the vehicle be driven normally.

If the electric drive transmission has cooled down for a long time (about 20 minutes) and the warning indicator has not disappeared, please park the vehicle safely and seek an MG Authorised Repairer immediately, otherwise it may seriously damage the electric drive transmission.

IMPORTANT



When the motor of the electric drive transmission is under overheating protection, in order to avoid damage to the motor, the power of the vehicle will be limited (the information centre will display "Power Limited, Limiting Speed", and warning indicator  will illuminate). After decelerating, the warnings will disappear when the motor temperature returns to normal.

Motor Fault of Electric Drive Transmission



If a fault or failure is detected in the motor or the power electronic box of electric drive transmission, the warning indicator  illuminates, and the warning message "Motor

Fault, Consult Handbook” displays simultaneously. Please seek an MG Authorised Repairer immediately.

Parking System Fault of Electric Drive Transmission



If a fault or failure is detected in the electrical park motor control unit, the warning indicator  will illuminate, and the warning message “Parking System Fault, Consult Handbook” will display simultaneously. After a few seconds, the warning message will disappear but the warning indicator  will remain on, please seek an MG Authorised Repairer immediately.

Electric Drive Transmission Fault

In some cases, when a fault or failure is detected, the warning indicator  will illuminate in yellow or red according to different faults, and the warning message “Vehicle Control System Fault, Please ask Serving Station for Help!” or “Vehicle Control System Fault, Please drive carefully!” will display simultaneously. After a few seconds, the warning message will disappear but the warning indicator  will remain on.

In some cases, the electric drive transmission will enter Limp Mode and will only function at certain speeds, please seek an MG Authorised Repairer immediately.

Severe Functional Malfunction

In some cases, when a fault or severe failure is detected in the electric drive transmission, the warning indicator  will illuminate in red, and the warning message “Vehicle Control System Fault, Please Stop Safely!” will display simultaneously. After a few seconds, the warning message will disappear but the warning indicator  will remain on. To protect the electric drive transmission, the power system will isolate the power transmission, and the vehicle will not be able to be driven, please seek an MG Authorised Repairer immediately.

In some cases, when a fault or severe failure is detected in the gear shift system, the message centre will display “EP”. For safety reasons, if the vehicle speed is below a preset speed, the power system will isolate the power transmission, and the vehicle will not be able to be driven, please seek an MG Authorised Repairer immediately.

Brake System

Overview

This series of models are equipped with Electronic Hydraulic Brake Application System (EHBS), braking through dual circuits, and various functions are realized by brake control module.

Always be aware of the followings during the operation of EHBS:

- EHBS works only when the START/STOP Switch is in READY state. NEVER allow the vehicle to coast when the START/STOP Switch is in OFF state.
- If the power system is shut down during driving, you should try to press the brake pedal to stop if traffic safety permits.
- If the performance of the EHBS system is reduced due to insufficient power or other reasons, you need to apply more force than usual to the brake pedal to stop the vehicle.
- If the EHBS system fails, the hydraulic booster compensation system (HBC) begins to provide power assistance. At this point, the power assistance performance is relatively low, please slow down to

a stop as soon as safety permits and contact an MG Authorised Repairer as soon as possible.

Note: When the HBC system begins to provide braking assist, a buzzing noise may be heard when pressing the brake pedal.

EHBS provides two different braking response modes:

- Standard: provides normal brake boost and brake pedal feeling.
- Sport: provides extra brake boost and a more sensitive brake pedal feeling.

You can select the response mode via the drive mode selection function - refer to 'Electric Drive Transmission' in the 'Starting and Driving' section.

Note: If the driving mode is switched whilst driving, the braking response may not change immediately. After the vehicle comes to a halt and the brake pedal released the mode will switch automatically.

The brake system can be divided into service brake system and parking brake system which includes Electronic Brake Force Distribution (EBD), Electronic Brake Assistance (EBA). and Cooperative Regenerative Braking System

Starting & Driving

(CRBS). EBD system can distribute braking forces between front and rear wheels under all load conditions in order to maintain braking efficiency. EBA system can react to the speed at which the brake pedal is applied. Full ABS application is applied to bring the vehicle to a stop in the shortest possible distance if the brakes are applied faster than the limits set within the system in an emergency situation. CRBS can convert the kinetic energy of the vehicle into electric energy while braking and stores the energy in the HV battery, so as to prolong the driving range.

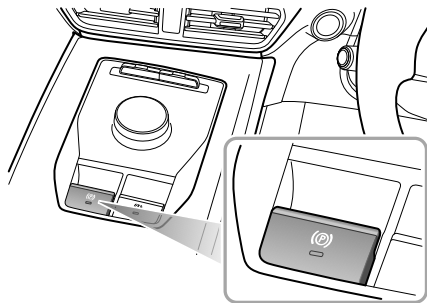
Note: *When the CRBS is triggered, the driver may hear a small motor operational noise and feel a slight vibration on the brake pedal at low speed. This is a normal phenomenon.*

Driving through water or heavy rain may adversely affect braking efficiency. In this case, keep a safe distance from other vehicles and intermittently apply the brake pedal to keep the brake disc surface dry.

Parking Brake System-Electronic Parking Brake (EPB)



In the event of EPB malfunction where EPB release is not possible, DO NOT tow the vehicle with rear wheels in contact with the road surface. Damage may occur.



Starting & Driving

The EPB can be applied and released in two ways:

- **Manual operation:** When the vehicle is parked safely, pull the EPB switch upward to apply EPB. Ensure the START/STOP Switch is in ON/READY state, press the brake pedal, and press the EPB switch to release EPB.
- **Automatic operation:** When the vehicle is parked safely, selecting P on the shift control knob will automatically apply EPB. Ensure the START/STOP Switch is in READY state, press the brake pedal and turn the shift control knob from P to N, D or R, the EPB will automatically release.

The indicator in the EPB switch and the indicator (P) in the instrument pack illuminate, indicating that the EPB is applied. The indicator in the EPB switch and the indicator (P) in the instrument pack extinguish, indicating that the EPB is released.

Note: *Always apply EPB before leaving the vehicle.*

Note: *An audible motor noise may be heard when applying or releasing EPB.*

IMPORTANT

- DO NOT leave the vehicle before the indicator in the EPB switch illuminates and the gear indicator displays P. The vehicle may not be safely parked due to EPB failure, resulting in sliding.
- The EPB cannot be applied or released in the event of a flat battery or power failure. If using 'jump leads' to temporarily supply power please see 'Emergency Starting' in the Emergency Information.

Start Assist

If the driver's seat belt is fastened and the accelerator pedal is pressed in order to pull away, the EPB will automatically release.

Emergency Braking Function



Inappropriate use of EPB can lead to accidents and injuries. DO NOT apply EPB for vehicle braking unless in emergency.



During emergency braking using the EPB, DO NOT switch the START/STOP Switch to the OFF state, otherwise serious injury will be caused.

In the event of normal brake failure, emergency braking can be realised by pulling and holding the EPB switch upward. In the process of emergency braking, an audible warning will sound at the same time. To cancel the emergency braking process, release the EPB switch.

Service Brake System

Anti-lock Brake System (ABS)



ABS cannot overcome the physical limitations of stopping the vehicle in too short a distance, running at too high a speed, or in danger of aquaplaning, i.e. where a layer of water prevents adequate contact between the tyres and the road surface.



DO NOT pump the brake pedal at any time, this will interrupt the operation of ABS and may increase the braking distance.

The main function of ABS is to adjust the braking force of the brake caliper automatically during braking to prevent wheel locking, so as to avoid dangerous situations such as out of control of direction or vehicle sideslip during emergency braking.

The system enables the driver to maintain the control of vehicle steering in case of emergency braking, keeps the vehicle stable and improves safety.

Starting & Driving

Under normal braking conditions, ABS will not be activated. However, once the braking force exceeds the available adhesion between the tyres and the road surface, thereby causing the wheels to lock, ABS will automatically come into operation. This will be recognisable by a rapid pulsation felt through the brake pedal.◦

If an emergency situation occurs, the driver should apply full braking effort to activate ABS even when the road surface is slippery.

Note: On soft surfaces such as powdery snow, sand or gravel, vehicles equipped with ABS may have a braking distance greater than those without ABS. This is because the natural action of locked wheels on soft surfaces is to build up a wedge of material in front of (or to the side of, if steering) the tyre contact patch. This effect assists the vehicle to stop when braking or to change direction when steering.

IMPORTANT

Although ABS can greatly improve the safety of driving, the real safety still depends on the standardized driving behavior of the driver.

Stability Control System (SCS) and Traction Control System (TCS)

SCS is designed to assist the driver in control of driving direction. When SCS detects that the vehicle is not moving in the intended direction, it will intervene by applying brake force to selected wheels or through the power system management system to prevent sliding and assist in bringing the vehicle back to the right direction.

TCS is designed to aid traction, thereby helping the driver to maintain control of the vehicle in situations where one or both of the driving wheels are spinning (for example, if one wheel is on ice and the other on tarmac). TCS monitors the driving speed of each wheel individually. If spin is detected on one wheel, the system will automatically brake that wheel, transferring torque to the opposite, non-spinning wheel. If both wheels are spinning, the system will reduce motor power in order to regulate wheel rotation until traction is regained.

SCS and TCS are automatically switched to standby when the START/STOP Switch is in ON/READY state, they can be switched off by using the switch located within the infotainment system.

Starting & Driving

Note: *Disabling SCS and TCS will not affect the operation of ABS. Always disable SCS and TCS when driving with snow chains fitted.*

Auto Hold



The Auto Hold function cannot guarantee the stability of the vehicle when starting off or braking on hills especially on slippery or icy surfaces.



When Auto Hold is being used to stabilise the vehicle, power system shutdown, releasing the seat belt or pressing the Auto Hold switch, the EPB is applied. It cannot be guaranteed that the vehicle will be stabilised in all cases. For example, the rear wheels are on a slippery road surface, or the vehicle incline is too great. Please make sure that the vehicle is safely stabilised prior to exiting.



The driver should pay full attention and observe the surroundings even if the vehicle is equipped with Auto Hold system.

Starting & Driving

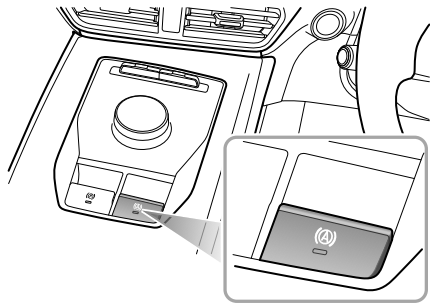


Auto Hold cannot guarantee the EPB applied in all cases when the power system is shut down. Please ensure the EPB is applied and the vehicle is stabilised prior to exiting the vehicle.



The Auto Hold function should be switched off during the use of automatic car washes, otherwise the EPB may suddenly apply and cause vehicle damage.

If the vehicle needs to stop frequently for a length of time (such as waiting in front of traffic lights, stopping on a ramp, or following the traffic flow), the Auto Hold system assists in stabilising the vehicle, enabling you to remove your foot from the brake pedal.



Auto Hold has 3 main states:

1 Standby:

With the driver's seat belt fastened, the driver's door closed and the power system running, press the Auto Hold switch to switch the function from Off to Standby state. The Auto Hold switch indicator lamp illuminates.

2 Parking:

With the brake pedal firmly pressed and the vehicle completely stopped, the Auto Hold function will switch from Standby state to Parking state. In this state the green indicator (P) in the instrument pack illuminates.

When the Auto Hold is in the Parking state, select D or R gear, press the accelerator pedal, then the Auto Hold will automatically exit the parking state according to the gradient.

3 Off:

Press the Auto Hold switch again to turn the function off.

In some circumstances such as releasing the seat belt, switching off the power system, remaining static for a length of time or pressing the Auto Hold switch, it will result in exiting the Auto Hold Parking state. At this time the EPB will be applied.

Note: When the Auto Hold is in the parking state, the brake pedal will remain in the pressed position even if the driver releases the pedal. When the Auto Hold

exits the parking state, the brake pedal will return to its initial position.

Note: The EPB will NOT be applied when pressing the switch to turn the Auto Hold off with the brake pedal pressed.

Note: It is recommended to turn off the Auto Hold function when reversing into the garage.

Starting & Driving

Hill Hold Control (HHC)



HHC has limitations when subject to adverse conditions such as wet or icy surfaces and steep slopes.



DO NOT exit the vehicle with only HHC applied, it may lead to a serious accident when HHC releases.



Firm application of the brake pedal when stopping is required by HHC to generate sufficient brake pressure to maintain hold.

HHC assists the driver by 'holding' the vehicle during hill starts. If the driver releases the brake pedal, the HHC will hold the vehicle stationary for a short time.

The following conditions must be fulfilled to activate HHC:

- The driver's door is closed and the driver seat belt is fastened.
- The vehicle is stopped on a certain slope.
- SCS is fault free.
- EPB is fault free and released.
- START/STOP Switch is in READY state.

- D or R gear is selected.
- Sufficient brake pedal application force has been applied.

Note: *When the HHC system is operating to keep the vehicle still, the brake pedal will remain in the pressed position even if the driver releases the pedal. When the brake is released, the brake pedal will return to its initial position.*

Note: *HHC is available in both forward and backward directions when pulling away on uphill slopes.*

Emergency Braking Hazard Warning Lights

Control (HAZ)

The HAZ function can make the brake lamps flash automatically to alert the drivers behind if the driver applies emergency braking during driving.

Note: *The HAZ function will not work if the hazard warning lamps are switched on manually.*

The brake lamps will exit the flash state after a few seconds when the vehicle is no longer in emergency braking state (no severe deceleration detected).

Note: *As the vehicle speed drops to below 10 km/h and the brake lamps no longer flash, the hazard warning lamps will illuminate automatically. Short press the hazard warning lamp switch or speed up the vehicle to more than 20 km/h for 5 seconds to switch off the hazard warning lamps.*

Tyre Pressure Monitoring System (TPMS)



TPMS can not replace routine maintenance and checks of tyre condition and pressures.



Using equipment that transmits on frequencies similar to that of the TPMS may interfere with the operation of the Tyre Pressure Monitoring System, this may illuminate a warning or register a temporary fault.

TPMS uses pressure sensors built into tyre valves to continuously monitor pressure and transmit data to the ECU inside the vehicle using RF signals. If it deduces that the pressure of that tyre has fallen below the predefined limit of the system, the warning light in the instrument pack will illuminate (always yellow). For more information, please refer to 'Instrument Pack' in 'Instruments and Controls' section. TPMS can remind you of low tyre pressure, but it can not replace normal tyre maintenance.

For tyre maintenance, please refer to 'Caring for Your Tyres' in 'Maintenance' chapter.

Note: *TPMS only warns of low tyre pressures, it does not re-inflate the tyre.*



If the TPMS malfunction indicator lamp illuminates and is accompanied by the warning message "XX Tyre Pressure Low" it is advised that you stop the car as soon as possible, check the tyre pressure and inflate the tyre to specified pressure value. The tyre pressure label attached to the vehicle indicates tyre inflation pressure for your vehicle when the tyre is cold.

Driving with under-inflated tyres, the tyre will overheat and cause a tyre fault. Using under-inflated tyres increase energy consumption and result in shorter tread life, it may affect vehicle handling and braking performance. Always check/adjust tyre pressures when they are cold.

TPMS Self-learning

When replacing a TPMS sensor and receiver, or performing tyre rotation, TPMS self-learning is required for some

vehicles, please consult an MG Authorised Repairer for details.

Note: After changing the tyre position or replacing a TPMS sensor and receiver, some vehicles need to run at a speed of 40km/h for about 10 minutes to correctly indicate the tyre pressure value at the corresponding position.

Parking Aid

Ultrasonic Sensor Parking Aid



The purpose of the parking aid is to assist the driver in reversing! The sensors may not be able to detect certain types of obstruction, e.g. narrow posts or small objects no more than a few inches wide, small objects close to the ground, objects above the tail gate and some objects with nonreflective surfaces.



Keep the sensors free from dirt, ice and snow. If deposits build up on the surface of the sensors, their performance may be impaired. When washing the car, avoid aiming high pressure water jets directly at the sensors from close range.

Rear Parking Aid

The ultrasonic sensors in the rear bumper monitor the area behind the vehicle to search for obstacles. If an obstruction is detected, the system calculates its distance from the rear of the car and communicates this information to the driver by sound warning chimes.

Parking Aid Operation

The rear parking aid is enabled automatically when reverse gear is selected, it is switched off as soon as reverse gear is disengaged. A short beep is given by the parking aid within 1 second after selecting reverse gear to indicate that the system is operating normally.

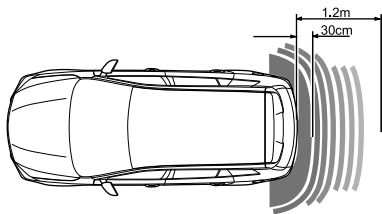
Note: If a longer, higher pitched sound is emitted for 3 seconds when reverse gear is selected, this indicates a fault in the system. In this case seek assistance from your MG Authorised Repairer.

With the parking aid function enabled, if an obstruction is detected, the audible sounds in different frequencies are transmitted (there might be blind zones).

- If an obstruction is located within 1.2m range of the rear parking aid sensors, the warning commences. As the car

moves closer to the obstruction, the audible sounds are transmitted more rapidly.

- Once the obstruction is within 30cm range of the rear bumper, the audible sounds will merge into a continuous warning.



360 Around View System



The purpose of the 360 around view system is only to assist the driver in parking. The camera has a limited field of view and cannot detect obstacle outside the field of view.



Although the entertainment display may display the panoramic images around the vehicle, please note the actual road conditions for your driving safety.



Please ensure that the exterior rearview mirrors are unfolded when using the 360 around view system.

With the 360 around view system activated, the entertainment display will display the 360 degree panoramic image of the vehicle, to facilitate the observation of the surrounding environment in order to assist with safer driving. Buttons on the entertainment display can be touched to view the images from different angles around the vehicle.

Starting & Driving

The 360 around view system can be enabled using the following methods:

- Selecting Reverse gear.
- Operating the 360 button.
- Using the 'Setting' interface to select low speed switching of corner lights/indicators, this will automatically open the 360 around view system when the indicators are used at low speeds and exit when the indicators are cancelled.

In the 360 around view system display interface, select the settings icon to enable personal settings for system functions.

Note: When the shift lever is placed in a forward gear position, the 360 around view system is inhibited at speeds above or equal to 15km/h.

Adaptive Cruise Control System



The adaptive cruise control system is designed as a comfort system enabling the driver to maintain a constant speed or distance from the car in front. It provides assistance to the driver, it DOES NOT replace any of the drivers responsibilities. When using the adaptive cruise control system, it is important that the driver maintains concentration at ALL times and is prepared to take action. Otherwise, accidents or personal injuries may occur.

The adaptive cruise control system can automatically switch between constant speed cruise and car following cruise depending on whether it can detect a vehicle directly ahead. Constant speed cruise controls the vehicle at a certain speed range. Car following cruise operates by setting the distance between the vehicle and the vehicles directly ahead.

When activated if the adaptive cruise control system detects a vehicle in the same lane directly ahead it may

accelerate or gently apply braking of the vehicle to maintain the set following distance.

Note: *The adaptive cruise control system is designed for highways and roads in good condition. It is recommended not to be used on urban and mountain roads.*

Note: *Whilst in an adaptive cruise control state the system may be required to apply the brakes, at this time the brake pedal may sink. DO NOT put your foot under or behind the brake pedal, this risks personal injury.*

Adaptive Cruise Control System Activation



After following the vehicle ahead to a stop, the driver must observe any local traffic laws and ensure that there are no obstacles or other traffic participants, such as pedestrians.

Starting & Driving



Whilst using the car following cruise function it is strongly recommended that the driver does not touch the accelerator pedal. Any activation of the accelerator will not allow the system to automatically apply the brakes should this be necessary.



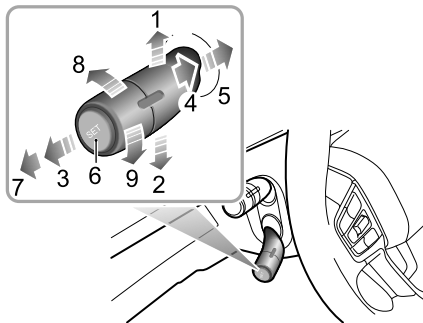
DO NOT exit the vehicle when the adaptive cruise control system car following cruise function has stopped the car, or is keeping the car stationary. Before exiting the car the shift control knob should be in the Park position and the power switch in the OFF position.



If the adaptive cruise control system has already stopped the vehicle, and the adaptive cruise control function is disabled, turned off or cancelled, the vehicle will no longer stay still, it may move forward or slip backward. When the vehicle is stopped and kept still by the adaptive cruise control system, be sure to be ready to apply the brakes manually.



When driving on a bend, the adaptive cruise control may actively reduce the vehicle speed to maintain vehicle stability and safety.



- 1 Speed Limit Increase/Accelerate
- 2 Speed Limit Decrease/Decelerate
- 3 Adaptive Cruise Cancel
- 4 Adaptive Cruise Standby
- 5 Adaptive Cruise Resume

- 6 Adaptive Cruise Set
- 7 Adaptive Cruise OFF
- 8 Increase Distance
- 9 Decrease Distance

The adaptive cruise control system is operated with a lever switch, which is located under the left side of the steering wheel.

- 1 With the vehicle START/STOP Switch in the ON /READY position, if the adaptive cruise lever switch is in the 'OFF' position (7), then the adaptive cruise control system is switched OFF.
- 2 Move the adaptive cruise lever switch to the 'ON' position (4), the adaptive cruise system status indicator on the instrument pack illuminates yellow, and the adaptive cruise control system is in the Standby mode.
- 3 The system will automatically detect the speed and position of the vehicle ahead, if your vehicle speed is above 5km/h (3 mph), after pressing the 'Set' button (6) at the end of the adaptive cruise stalk lever, the indicator on the instrument pack will turn green, and the adaptive cruise control system enters the

Activated mode, its target speed is the actual speed at activation; if your vehicle speed is less than 30km/h (20 mph), then the target speed of the system is set at 30km/h (20 mph). If the speed of the vehicle ahead is greater than the cruise target speed of your vehicle, your vehicle will maintain the target speed to conduct constant speed cruise. If the speed of the vehicle ahead is lower than the cruise target speed of your vehicle, it will enter the car-following cruise. An image of your car and the car ahead is displayed in the instrument pack message centre. In this mode the actual speed may be less than the set target speed. Whilst in the car following cruise mode, you can follow the vehicle ahead to a stop. If the parking time is less than a certain time, your vehicle may automatically pull away to follow the vehicle ahead, or you need re-activate the adaptive cruise control system using the method displayed.

Note: *Manual deactivation of either the Traction Control System (TCS) or Stability Control System (SCS) will inhibit the operation of the adaptive cruise control system.*

Adaptive Cruise Target Speed Adjustment

When the adaptive cruise control system is activated:

- 1 Use the accelerator pedal to reach the desired speed, short press the 'Set' button (6) on the end of the adaptive cruise switch lever, release the control button and accelerator pedal. The vehicle will cruise at the desired speed.
- 2 Move the lever switch upward (1) and hold, the target speed will increase until the desired set speed appears in the instrument pack, then release the switch. When it is confirmed that there is no vehicle in front of your vehicle or the vehicle ahead exceeds the preselected following distance, the speed will be increased to the set speed.
- 3 Move the lever switch downward (2) and hold, the target speed will decrease until the desired set speed appears in the instrument pack, then release the switch, the vehicle speed will decrease to the set speed.
- 4 When using the lever to adjust the target speed, briefly operate the adaptive cruise lever switch upward (1) or downward (2) once, the target speed will change 5

km/h, press and hold the lever upward or downward and the speed will increase or decrease in 1 km/h increments, release the lever when the desired speed reading is displayed.

Note: *If the vehicle ahead continually makes hard acceleration or deceleration manoeuvres the adaptive cruise control may not be able accurately maintain the required distance between vehicles. It is important that the driver always concentrates and pay attention to the current vehicle position and situation in case they need to make a braking or avoidance manoeuvre.*

Adaptive Cruise Target Following Distance Adjustment

When the adaptive cruise control system is activated, rotate the switch on the end of the lever upward (8) or downward (9) to adjust the following distance, you are able to toggle between 3 distance settings, and displayed in the message centre in the instrument pack.

Always select an appropriate following distance that is relative to the current speed of your vehicle and the vehicle you are following, the greater the speed, the

Starting & Driving

further the distance. ALWAYS consider current traffic, road and weather conditions when making your selection.

Adaptive Cruise Pause/Standby

When the adaptive cruise control system is activated, move the lever switch to the 'Cancel' position (3), and the system will exit to the Standby mode.

Automatic Deactivation of Adaptive Cruise

In the following situations, the adaptive cruise control system may be automatically deactivated, this transfers full control of the vehicle to the driver.

- Move the lever switch to 'OFF' position (7).
- Press the brake pedal whilst the vehicle is in motion.
- Move the rotary gear knob to either R or N position.
- The driver unfastens his/her seat belt.
- Press and hold the accelerator pedal beyond a preset time period.
- Open any door, bonnet or tailgate.
- Pull the EPB switch up to apply the parking brake.
- Follow the vehicle ahead to a stop and the stop time exceeds a certain period of time.

- The camera or radar view is blocked, the surrounding environment triggers the preset safe exit mechanism of the sensors, or the system fails.

Note: *If following the vehicle ahead to a stop with the adaptive cruise control system enabled, if any of the following conditions occur whilst the vehicle is in a stopped state, the EPB will automatically be applied:*

- *The driver unfastens his/her seat belt.*
- *The driver door is opened.*
- *The stationary time exceeds the preset time period.*

Adaptive Cruise Override

If the driver has cause to use the accelerator pedal when the adaptive cruise control system is activated, the vehicle will remain in Cruise mode while the vehicle speed increases. When the accelerator pedal is released, the adaptive cruise control system will resume to operate at previously set cruise speed.

Adaptive Cruise Resume

If the adaptive cruise control system has reverted to, or been switched to, the Standby mode it can be reactivated by moving the lever switch to the 'Resume' position (5).

Starting & Driving

The target cruise speed will automatically be set to the target speed before exiting the adaptive cruise control system.

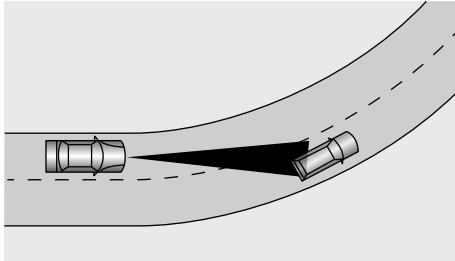
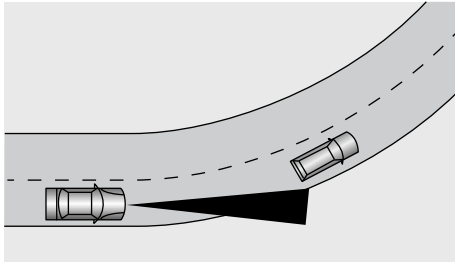
Clear Speed Memory

If the lever switch is moved to the 'OFF' position (7) or the vehicle START/STOP Switch is switched to the OFF position, the system may clear the adaptive cruise control set speed in the memory.

Special Driving Environments

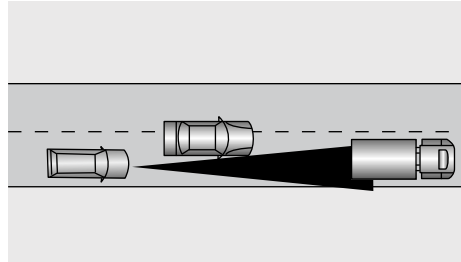
The adaptive cruise control system has its limitations. Listed below are some conditions that may be beyond the safe operating limits. The driver should maintain control of the vehicle and must remain alert at all times. They should pay special attention to the traffic conditions and surroundings, select the appropriate speed and be ready to take any required actions.

Starting & Driving



When turning at an intersection or following a vehicle into, or out of a curve, the adaptive cruise control system may be unable to detect the vehicle ahead, even if it is in the same lane, it is possible the system may detect a vehicle in another lane.

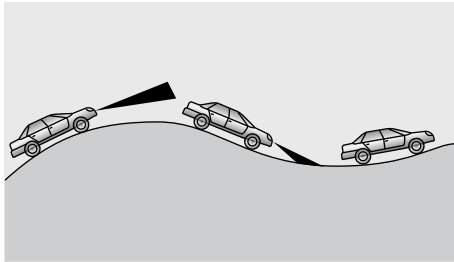
Note: *Do not use the adaptive cruise control system on entrance/exit ramps or sharp bends.*



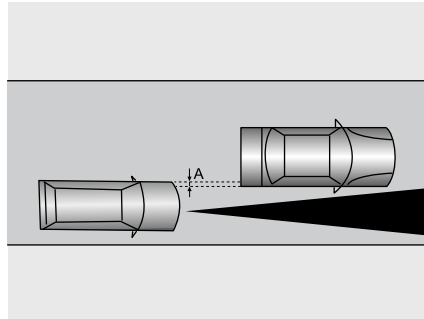
Starting & Driving

If the vehicle ahead changes lanes, but does not drive into the lane completely, the adaptive cruise control system may be unable to detect the vehicle.

If the vehicle ahead changes lanes, but does not exit the lane completely, the adaptive cruise control system may determine that the vehicle ahead has exited the lane and accelerate to any preset speed.



When driving on uneven roads that may include steep climbs or dips please **DO NOT** use the adaptive cruise control system.



When driving behind a vehicle that is only partially overlapping your vehicle, 'A' in the graphic, the adaptive cruise control system may be unable to detect anything.

Note: Please DO NOT use the adaptive cruise control system in the following situations:

- **The ambient light level is insufficiently low, extremely bright, or the forward lighting of the vehicle is poor or compromised.**

- *The front view camera in the windscreen and/or radar sensor in the front bumper have a restricted field of vision, or severe weather such as heavy fog, heavy rain, heavy snow, ice, etc are affecting the sensor's field of view.*
- *In conditions where the demist function of the windscreen is impaired.*
- *When driving the vehicle on a low-friction road (rapid changes in tyre traction may result in excessive wheel slip).*
- *When driving on a strong reflective road surface as a result of rain, snow, or ice.*
- *Driving in bad weather conditions.*
- *When the ambient light is insufficient, the light is too much, or the front lighting of the vehicle is poor.*
- *After the position of radar has changed (for example, collision, vibration).*
- *Radar signals could be incorrectly reflected by local conditions (e.g., in multi-storey car parks, tunnels, water jets from sprinklers, etc.) these may degrade the function of the radar sensor.*

Driving Assist System

The driving assist system can detect the road and environmental information ahead of the vehicle by utilising a front view camera and a front detection radar under certain conditions. This information is used to relay warning messages or provide assistance to help the driver control the vehicle more safely and reliably. The front view camera is located in the interior rearview mirror base cover, the front detection radar is located at the lower middle of the front bumper.

Note: DO NOT operate any infotainment switches whilst driving. If you wish to make any settings changes, please pull over when it is safe and legal to do so.

Description of Front View Camera

Calibration of front view camera

The front view camera re-calibration is required after any of the following:

- Removal and refitting of the front view camera.
- Replacement of the windscreen.

Note: The calibration of front view camera requires professional knowledge and tools. If calibration is required, please seek an MG Authorised Repairer.

Obstruction of the front view camera

On occasion the front view camera view may become obstructed by foreign objects or stains on the glass. In these cases a prompt message will appear in the information centre. Please wipe or clean immediately.

In the following situations, the detection performance of front view camera will be affected:

- Driving in poor weather conditions where visibility is reduced due to thick fog, heavy rain, snow, dust or sand storm etc.
- Affected by light, for example low light levels at night, poor auxiliary lighting, excessive backlighting in the view, light from oncoming vehicles, abrupt change of brightness with a quick bright/dark jump (tunnel entrance/exit), driving on surfaces with strong reflective

properties (road surface covered with water or snow), tunnels, inside a building etc.

- The front view camera is partially or fully blocked by obstacles, e.g. dust, foreign objects, oil pollution, mud, snow, excessive water (rain), frost or water spray from the road on the windscreen.
- The windscreen in view is damaged.
- Not calibrated after removing/refitting the front view camera or the windscreen.
- The front view camera is not secured in place.

Description of Front Detection Radar

Calibration of front detection radar

The front detection radar re-calibration is required after any of the following:

- The front detection radar mis-alignment failure, for example the position of the front detection radar has changed.
- Remove/refit the front detection radar or radar bracket.
- Remove/refit the front anti-collision beam.
- The four-wheel alignment parameters have changed.

Note: *If the front detection radar is subject to strong vibration or slight impact, the mounting position of the front detection radar needs to be checked and re-calibrated as necessary.*

Note: *The calibration of front detection radar requires professional knowledge and tools. If calibration is required, please seek an MG Authorised Repairer.*

Front radar performance will be effected in the following situations:

- When the front detection radar is covered by mud, snow, excessive water (rain) or water spray from the road.
- When the radar or surrounding areas are covered by objects such as labels or auxiliary lighting installation.
- When the front detection radar is subject to strong vibration or slight impact.
- Some targets may affect and weaken the detection capability of the front detection radar, such as road barriers, fences and tunnel entrances.

- When the front detection radar is affected by the environment, such as strong electromagnetic field interference or due to the target itself.
- Strong reflected radar signals (such as: in multi-storey car parks, tunnels, sprinkler spray systems or water jets etc). Experiencing any of these could cause the function of the front detection radar to be effected.

Note: *Any snow that gathers on the front radar may be removed using a soft brush, and any ice should be removed using a propriety deicing spray.*

Note: *Avoid any collision or contact with the front radar module, this may cause misalignment.*

Lane Assist System

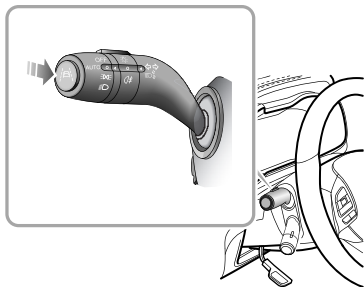


The lane assist system is an auxiliary system that provides assistance to the driver. It does NOT remove the responsibility of safe driving from the driver. When choosing to use the lane assist system, the driver MUST always pay attention to the surroundings, hold the steering wheel and be prepared to make manoeuvres at any time. Failure to maintain overall control of the vehicle may result in an accident or personal injury.



The lane assist system does not always recognise the lane lines. Sometimes poor road surfaces, certain road structures or objects may be mistaken for lane lines. When such situations occur, the lane assist system must be immediately turned off.

The lane assist system switch is located in the infotainment display. Enter the corresponding interface for driving assistance to turn the system ON/OFF, and make mode selection.



Having turned the lane assist system ON in the infotainment display, press the button at the end of the indicator stalk switch (as shown above), the system will enter the standby or active state.

Alert

The system uses the front view camera to detect the lane lines ahead of the vehicle. The system will be activated when the following detection conditions are met:

- The function is switched ON.
- Vehicle speed is above 60 km/h.
- Lane line markings are clear, the system recognises at least one lane line.

When a wheel is about to cross the lane line, or has already crossed the line, the system will provide warnings to prompt the driver to take action and maintain the vehicle position between the lane lines. The function will automatically exit when the vehicle speed drops below 55 km/h.

Departure assist

The system uses the front view camera to detect the lane lines ahead of the vehicle. The system will be activated when the following detection conditions are met:

- The function is switched ON.
- Vehicle speed is above 60 km/h.
- Lane line markings are clear, the system recognises at least one lane line.

When a wheel is about to cross the lane line, has already crossed the line, the system will provide assistance to the driver by keeping the vehicle in between the lane lines by applying corrective steering intervention and

Starting & Driving

simultaneously displaying a prompt. The function will automatically exit when the vehicle speed drops below 55 km/h.

In cases of several interventions within a certain period of time and in the absence of detecting any steering input by the driver during the interventions, the system will provide warnings.

Lane keeping

The system uses the front view camera to detect the lane lines ahead of the vehicle. The system will be activated when the following detection conditions are met:

- The function is switched ON.
- Vehicle speed is above 60 km/h.
- Lane line markings are clear, the system recognises two lane lines on both sides.

When a wheel is about to cross the lane line, or has already crossed the line, the system will always attempt to maintain the vehicle position in the centre of the lane by using corrective steering interventions. The function will automatically exit when the vehicle speed drops below 55 km/h.

In the absence of a steering input from the driver for a certain period of time, the system will provide warnings.

IMPORTANT

- In cases where the number of lanes increase or lanes merge, the driver **MUST** take full control of the vehicle.
- In areas where there are complex traffic conditions such as intersections or road junctions with congestion, the driver **MUST** take full control of the vehicle.

The lane assist system will be impaired or ineffective in the following conditions:

- The hazard lamps are activated.
- The driver indicates in the direction of the lane line about to be crossed.
- The driver applies the accelerator rapidly, carries out an emergency manoeuvre or makes a hard brake pedal application.

- The system detects that the driver has not moved the steering wheel for a preset time period (in the mode of 'departure assist' or 'lane keeping').
 - During system intervention the steering wheel is operated (in the mode of 'departure assist' or 'lane keeping').
 - The lane line is too thin, damaged, or fuzzy.
 - The vehicle is driven on the bend with a small curvature radius, the road is too narrow or too wide.
 - The vehicle has just entered a road section with lane lines or is driven on a road section without lane lines.
 - The vehicle changes lanes or sways laterally too fast.
 - The vehicle is not in D.
 - The vehicle speed is below 55 km/h, or too high.
 - The anti-lock brake system (ABS) and the dynamic stability control system (SCS) are activated.
 - Faults exist in the anti-lock brake system (ABS), dynamic stability control system (SCS), electric power steering system (EPS), etc.
- Driving in bad weather conditions.
 - Driving on rough or poor road surfaces.
 - Driving through roadworks or construction sites.

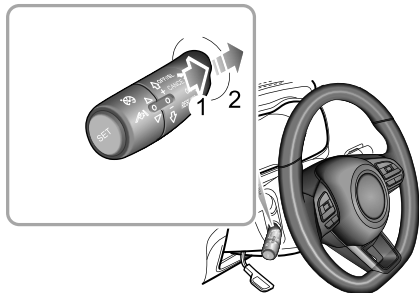
It is recommended to turn off the lane assist system in the following situations:

- Driving in a sports style or manner.

Traffic Jam Assist System



Traffic jam assist system is an auxiliary system that provides assistance to the driver. It does NOT remove the responsibility of safe driving from the driver. When choosing to use the traffic jam assist system, due to the limitations of system detection and control, the driver must always be careful and hold the steering wheel at all times. The driver needs to correct or take over the steering wheel control if necessary. Failure to maintain overall control of the vehicle may result in an accident or personal injury.



The traffic jam assist system switch is located in the infotainment display. Enter the corresponding interface for driving assistance to turn the system ON/OFF. Operating the adaptive cruise control level to “RESUME” twice will switch the traffic jam assist system to standby or active state.

The traffic jam assist system works on the basis of the adaptive cruise control system. The system will operate when the following conditions are met:

Starting & Driving

- The adaptive cruise control system is activated.
- The traffic jam assist system is switched on via the corresponding button in the infotainment system.
- The system detects lane lines on both sides of the vehicle.
- The vehicle is in D.

If the lane lines ahead on both sides are clear, the system can assist the vehicle in driving within the lane lines. When driving at low speed, if there is a vehicle ahead and the lane lines ahead on both sides are not clear, the system can provide assistance in following the track of the vehicle ahead.

In the absence of a steering input from the driver for a preset period of time, the system will provide warnings.

Note: The driver should adjust the vehicle speed and the following distance according to road visibility, weather and road conditions. The traffic jam assist system does not respond to pedestrians, animals, stationary vehicles and vehicles that drive across the lane or oncoming vehicles in the same lane. If the traffic jam assist system cannot reduce the vehicle speed timely and effectively, the driver MUST apply

the brakes. In congested conditions, should another vehicle cut into the lane being used by the vehicle under traffic jam assist control, the system may not detect the vehicle in adequate time to make a braking manoeuvre. In this case the brakes should be applied by the driver.

The traffic jam assist system will be impaired or ineffective in the following conditions:

- The hazard lamps are activated.
- The driver indicates in the direction of the lane line about to be crossed.
- The driver applies the accelerator rapidly, carries out an emergency manoeuvre or makes a hard brake pedal application.
- The system detects that the driver has not moved the steering wheel for a preset time period.
- During system intervention, the steering wheel is being manipulated by the driver.
- The lane line is too thin, damaged, or fuzzy.
- The vehicle is driven on a bend with a small curvature radius, the road is too narrow or too wide.

Starting & Driving

- The vehicle has just entered a road section with lane lines or is driven on a road section without lane lines.
- The vehicle is not in D.
- The vehicle changes lanes or sways laterally too fast.
- The anti-lock brake system (ABS) and the dynamic stability control system (SCS) are activated.
- Faults exist in the anti-lock brake system (ABS), dynamic stability control system (SCS), electric power steering system (EPS), etc.

It is recommended to turn off the traffic jam assist system in the following situations:

- Driving in a sports style or manner.
- Driving in bad weather conditions.
- Driving on rough or poor road surfaces.
- Driving through roadworks or construction sites.
- Driving on steep, winding or slippery roads (such as snow and ice roads, wet roads and roads with water).
- Driving on grass tracks or unpaved roads.

IMPORTANT

- In cases where the number of lanes increase or lanes merge the driver **MUST** take full control of the vehicle.
- In areas where there are complex traffic conditions such as intersections or road junctions with congestion, the driver **MUST** take full control.
- The driver **MUST** be aware of the surroundings and be able to assume full control of the vehicle when using the traffic jam assist function to track the car in front should the need arise.

Starting & Driving

Load Carrying



DO NOT exceed the gross vehicle weight or the permitted front and rear axle loads. Failure may result in vehicle damage or serious injury.

Loadspace Loading



Ensure that the rear seat backrests are securely latched in the upright position when loads are carried in the load space behind the seats.

When luggage is carried in the load space, always ensure heavy items are placed as low and as far forward as possible, so as to avoid the cargo shift in the event of an accident or sudden stop.

Drive carefully and avoid emergency braking or manoeuvres.

Driving with the tailgate open is very dangerous. If the load being carried requires the tailgate to be open, please ensure the cargo is suitably secured.

IMPORTANT

Traffic regulations must be observed when loading cargo, if the cargo extrudes the loadspace appropriate warning measures must be taken to warn other road users.

Internal Loading



DO NOT carry unsecured equipment, tools or luggage that could move, causing personal injury in the event of an accident, or emergency braking or hard acceleration.



DO NOT obstruct the driver's or passenger's vision with loads.

Folding the rear seats can increase luggage space, refer to "Rear Seats" described in the "Seats and Restraints" section.

When cargo is loaded in the vehicle, place it at a position as low as possible and ensure that it is tightly secured, so as to avoid personal injury caused by cargo movement when traffic accidents or emergency braking occurs. If the cargo

Starting & Driving

has to be placed on a seat, then the seat must not be used by an occupant during that time.

Emergency Information

182 Emergency Starting

184 Vehicle Recovery

188 Tyre Repair

191 Fuse Replacement

199 Bulb Replacement

Emergency Information

Emergency Starting



NEVER attempt to power the vehicle by pushing or towing.



Make sure that both batteries are of the same rated voltage (12 volts), and that the booster cables are approved for use with 12 volt car batteries.

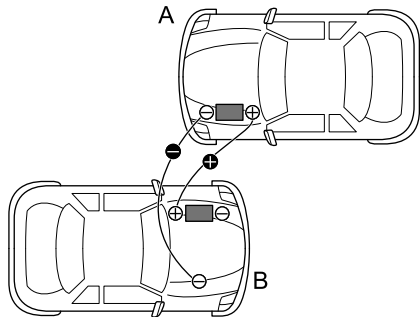


Ensure sparks and naked flames are kept well away from the front compartment.



Ensure that each booster cable connection is securely made. There must be no risk of touching each other or other moving parts, this could cause sparking, which could lead to fire or explosion.

If the 12 volt battery loses power, or becomes low on power, booster cables can be used to connect the battery of a donor vehicle or external battery to start the vehicle.

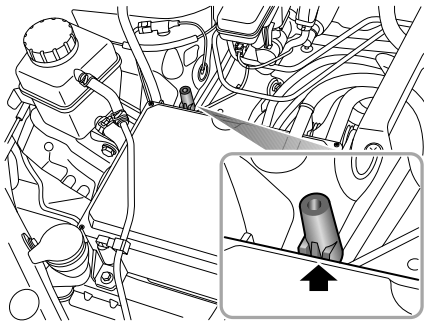


Ensure the START/STOP Switch is turned off and switch off ALL electrical equipment of BOTH vehicles, then follow the instructions below:

- 1 Connect the RED booster cable between the positive (+) terminals of both batteries. Connect the BLACK booster cable from the negative (-) terminal of the donor battery (A) to a good earth point (CCU housing or other unpainted surface, for example), as far away

Emergency Information

from the battery as possible and well away from brake lines on the disabled vehicle (B).



- 2 Start the donor vehicle and allow it to run for a few minutes.
- 3 Switch the vehicle power system of the vehicle with the discharged battery to READY. If the disabled vehicle will not switch to READY it may need to be repaired. Please contact an MG Authorised Repairer.

- 4 After both the vehicles have normally started/powerd, turn off the START/STOP Switch of the donor vehicle.
- 5 Disconnecting the booster cables must be an exact reversal of the procedure used to connect them, i.e. disconnect the BLACK cable from the earth point on the disabled vehicle FIRST.

IMPORTANT

DO NOT switch on any electrical appliance in the disabled vehicle until the booster cables have been disconnected.

Note: It is recommended to ensure that the disabled vehicle remains powered or runs for more than 1 hour after it is started, in order to recover the battery power.

Emergency Information

Vehicle Recovery

Towing Vehicle



DO NOT tow the vehicle with the driven front wheels in contact with the road surface. Only use the method of suspended towing or transporter, otherwise the electric drive transmission may be damaged. When pushing or towing the vehicle from a dangerous situation, the speed must remain below 5 km/h and be completed within 3 minutes.



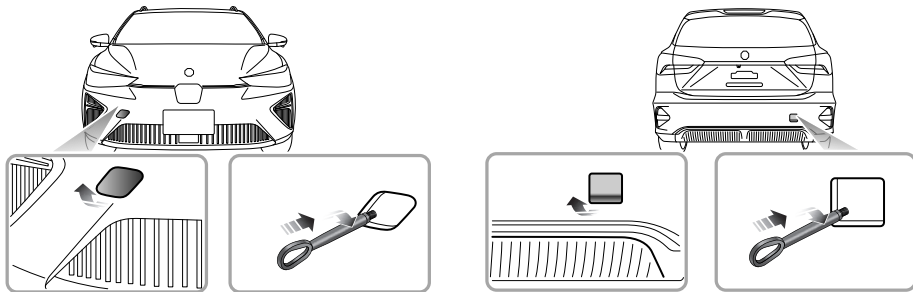
To avoid damaging the vehicle, when temporarily pushing or towing the vehicle, the driver's side seat belt should be inserted and maintained in the lock and the electric drive transmission placed in Neutral in order to release the EPB.

Towing Hook



DO NOT use a tow rope that is twisted - or the towing hook may be unscrewed.

Emergency Information



Your car is equipped with 2 towing eyes (located at the front and the rear of the vehicle), which are used for fitting the towing hook in the tool kit. The tool kit is placed beneath the loadspace floor.

To fit the towing hook, remove the small cover set into the bumper, then screw the towing hook via the small hole into the threaded hole in the bumper beam (see illustration). Ensure the towing hook is fully tightened!

Note: *The towing eye cover may be secured to the bumper by a plastic cord.*

Emergency Information

Both towing points are intended for use by qualified recovery specialists to assist in the recovery of your car when a breakdown or accident occur. They are not designed for towing other vehicles, and must NEVER be used to tow a trailer or caravan.

Towing for Recovery



When towing, DO NOT accelerate or brake suddenly, this can cause accidents.



DO NOT tow the vehicle with all 4 wheels in contact with the road, this will cause damage to the electric drive transmission.

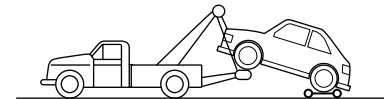
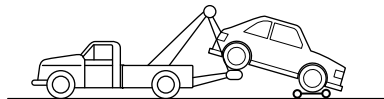
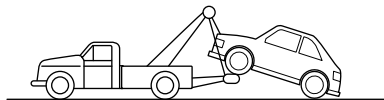
Suspended Towing



When using suspended towing, be careful not to let the high voltage battery pack touch the ground.

Suspended towing is the best method for a vehicle that needs to be towed. The driven wheels MUST be suspended above the ground, this is to avoid any damage to electric drive transmission and possible inadvertent powering of

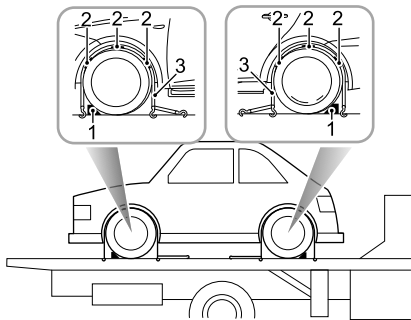
the vehicle. Ensure the EPB is released, the hazard lamps are ON and no passengers are in the vehicle.



Emergency Information

Transporter or Trailer with Rope

If your car is to be transported on the back of a trailer or transporter, it must be secured as illustrated:



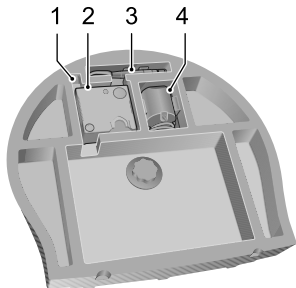
- 1 Apply the parking brake and place the electric drive transmission in park.
- 2 Fit wheel chocks (1) as shown, then position the anti slip rubber blocks (2) around the circumference of the tyre.

- 3 Fit the lashing straps (3) around the wheels and secure to the trailer. Tighten the straps until the car is securely held.

Emergency Information

Tyre Repair

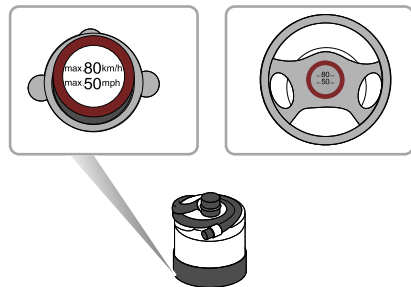
Tool Identification



- 1 Wheel Bolt Cap Removal Tool
- 2 Electric Air Pump
- 3 Towing Hook
- 4 Repair Fluid

Tyre Repair

- 1 Remove the label at the bottom of the repair fluid reservoir and attach it to the steering wheel to remind the driver not to exceed 80km/h.



- 2 Connect the air hose of the electric air pump to the repair fluid reservoir, fit the tyre sealant bottle (upright) into the slot on the compressor. Remove the valve dust cap of the flat tyre, and connect the filler hose from the tyre sealant bottle to the tyre valve. Ensure that the power switch of the electric

Emergency Information

air compressor is switched off (i.e., press “O”), then insert the plug from the compressor into the centre console power socket, and turn the START/STOP Switch to ON/READY.



Note: To avoid battery discharge, it is recommended to keep the vehicle in P and READY mode.

- 3 Switch on the switch of the electric compressor (i.e., press “-”), to start pumping sealant into the tyre. The tyre sealant bottle will become empty after approximately 30 seconds. The tyre should reach the specified pressure within 5 or 10 minutes.

Note: The pressure gauge may briefly reach 6 bar (87 psi), then the pressure begins to drop to normal.

- 4 When the required pressure is reached, switch off the power switch of the electric compressor (i.e., press “O”).

Note: If the required pressure cannot be reached within 10 minutes, please disconnect the compressor, drive the vehicle 10 metres approx forward or backward to allow the sealant to spread within the tyre. If the required pressure can still not be reached, the tyre is severely damaged and you should seek assistance from the MG Authorised Repairer.

Note: Consecutive operation of electric air compressor for more than 10 minutes may result in damage to the compressor.

Emergency Information

Note: Under no circumstances should you continue your journey with a deflated tyre. Driving a vehicle with a deflated tyre is extremely dangerous.

- Remove the tyre sealant bottle from the slot in the compressor, disconnect the hose from the tyre valve, remove the compressor plug from the centre console power socket, return the tyre repair kit to its stowage tray.
- After successfully adding sealant to the tyre, drive immediately for a short time (around one minute) this will allow the sealant to distribute evenly inside the tyre. Continue driving and do not exceed 80km/h. After a further 10 minutes, find a safe place to stop and recheck the tyre pressure.

If the tyre pressure has dropped to less than 0.8 bar (11.6 psi), do not continue driving, seek assistance instead.

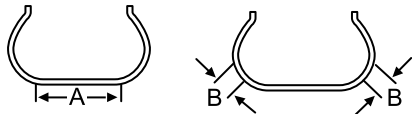
If the tyre pressure is between 0.8 bar (11.6 psi) and specified pressure, connect the hose of electric air pump to the tyre valve, and connect the plug of the electric air pump to the power socket, then switch on

the electric air pump to inflate the tyre until it reaches the specified pressure. Repeat the operations of step 6 after driving a maximum distance of 5km.

If the tyre pressure has not dropped, you may continue driving, but the vehicle speed must not exceed 80 km/h, and the driving mileage must not exceed 200 km.

Note: Please regularly check the tyre sealant 'use by date' and replace as necessary.

Note: DO NOT remove foreign objects (eg. screws, nails) from the tyre. The tyre repair system must only be used when the foreign object is in the tread pattern (A), DO NOT attempt a repair when the damage is in the sidewall of the tyre (B).



Emergency Information

Fuse Replacement

Fuse

Fuses are simple circuit breakers which protect the car's electrical equipment by preventing the electrical circuits from being overloaded. A blown fuse may be indicated when the item of electrical equipment it protects stops working.

If you suspect a fuse it can be checked by removing it from the fuse box and looking for a break in the wire inside the fuse.

It is recommended to have spare fuses in the vehicle, which can be obtained from a local MG Authorised Repairer.

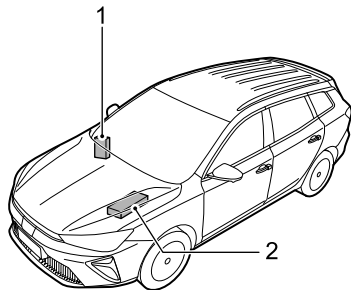
IMPORTANT

- NEVER attempt to repair a blown fuse. ALWAYS replace a fuse with one of the same rating, failure to use the correctly rated fuse could result in a fire or electrical circuit damage due to overloading.
- If a replaced fuse fails immediately, please contact an MG Authorised Repairer as soon as possible.

Fuse Box

The vehicle is equipped with 2 fuse boxes:

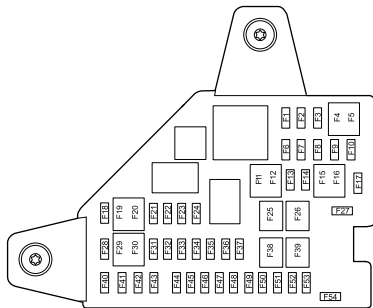
- Passenger compartment fuse box (behind the driver side lower trim panel)
- Front compartment fuse box (front left of the front compartment)



- 1 Passenger compartment fuse box
- 2 Front compartment fuse box

Emergency Information

Passenger Compartment Fuse Box



Check or Replace a Fuse

- 1 Turn off the Start/Stop Switch and all electrical appliances, and disconnect the negative battery cable.
- 2 Remove the driver side dashboard end cover plate and lower trim panel to access the fuse box.
- 3 Check a suspect fuse by removing it from the fuse box and looking for a break in the wire inside the fuse.

- 4 If a fuse is blown, replace it with another fuse of the same type and same ampere value.

Fuse Specification

Code	Specs	Function
F1	15A	Front Console Power Socket
F2	5A	Interior Mirror, Rear Console USB Charging Ports
F3-F17	-	-
F18	5A	Vehicle Control Unit, Sensing Diagnostic Module (Airbag), Shifter Control Unit, Instrument Pack, Front Detection Radar, Front View Control Module
F19	-	-

Emergency Information

Code	Specs	Function
F20	10A	AC Control Module
F21	-	-
F22	5A	Diagnostic Socket
F23	-	-
F24	5A	PEPS Control Module
F25	-	-
F26	30A	Front Right Window Lift, Rear Right Window Lift
F27	-	-
F28	5A	Backup Immobilizer Coil
F29	20A	Entertainment System
F30	5A	Instrument Pack
F31	5A	EPB Switch

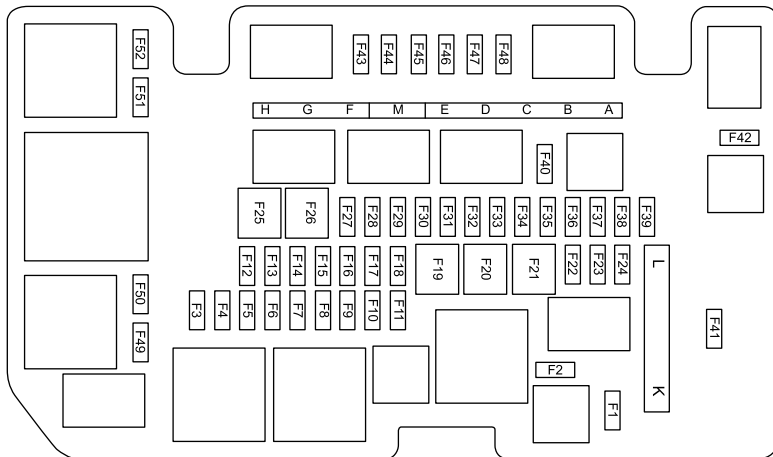
Code	Specs	Function
F32	5A	Driver Door Switch Pack, Tyre Pressure Monitoring System
F33	10A	Sensing Diagnostic Module (Airbag)
F34	10A	Gateway
F35	-	-
F36	15A	Towing Device Reserved Interface
F37	25A	Driver Electric Seat Adjustment
F38	-	-
F39	40A	Blower
F40-F43	-	-
F44	5A	360 Around View Module
F45	-	-

Emergency Information

Code	Specs	Function
F46	10A	Electronic Steering Column Lock
F47–F48	-	-
F49	5A	TBOX
F50	10A	Gateway
F51	5A	Shifter Control Unit
F52	-	-
F53	5A	Pedestrian Alert Control Module
F54	-	-

Emergency Information

Front Compartment Fuse Box



Emergency Information

Check or Replace a Fuse

- 1 Turn off the Start/Stop Switch and all electrical appliances, and disconnect the negative battery cable.
- 2 Press the lock catch to open the upper cover of front compartment fuse box.
- 3 Check a suspect fuse by removing it from the fuse box and looking for a break in the wire inside the fuse.
- 4 If a fuse is blown, replace it with another fuse of the same type and same ampere value.

Fuse Specification

Code	Specs	Function
F1	121 Ω	On-board Network Terminal Resistance
F2	121 Ω	On-board Network Terminal Resistance
F3	30A	Body Control Module
F4	20A	Body Control Module
F5	15A	Body Control Module

Code	Specs	Function
F6	5A	Charging Plug Latch
F7	5A	Vehicle Control Unit
F8	5A	Electrical Battery Sensor
F9	15A	Horn Relay, Horn
F10	10A	Electric Vehicle Communication Controller
F11	15A	High Voltage Battery Pack
F12–F24	-	-
F25	30A	Driver Window Lift, Rear Left Window Lift
F26	30A	Stability Control System (Valve)
F27	15A	Windscreen Washer System
F28	10A	Body Control Module

Emergency Information

Code	Specs	Function
F29	20A	Body Control Module
F30	25A	Front Wiper System
F31	10A	Power Electronic Box
F32	25A	Body Control Module
F33	15A	Super Lock System
F34	15A	Main relay, Power Electronic Box Water Pump, Brake Lamp Switch
F35	5A	Combined Charging Unit
F36	5A	Electric Air Conditioning Compressor
F37	10A	Daytime Running Lamp
F38	15A	Rear Wiper System
F39	15A	High—Voltage Battery Pack Coolant Pump

Code	Specs	Function
F40-F42	-	-
F43	7.5A	Heated Exterior Rearview Mirror
F44	25A	Heated Rear Window
F45	-	-
F46	5A	Headlamp Levelling Adjustment Switch, Manual Headlamp Levelling
F47	-	-
F48	5A	Charging Flap Motor
F49-F52	-	-
FUSE A	80A	Electric Power Steering Module
FUSE B	-	-
FUSE C	40A	Stability Control System (Pump)

Emergency Information

Code	Specs	Function
FUSE D	-	-
FUSE E	40A	Electric Parking Motor Control Unit
FUSE F	30A	Electrical Parking Brake Control Module
FUSE G	50A	Cooling Fan
FUSE H	50A	iBooster
FUSE M	150A	Combined Charging Unit
FUSE L	30A	Electronic Parking Brake Control Module
FUSE K	100A	Passenger Compartment Fuse Box

Emergency Information

Bulb Replacement

Bulb Specification

Bulb	Type
Front Direction Indicators	WY21W 21W
Reverse Lamps	W16W 16W
Stop Lamps	W21W 21W
Rear Direction Indicators	WY16W 16W

Bulb	Type
Rear License Plate Lamps	W5W 5W
Front Interior Lamps	W5W 5W
Rear Interior Lamps	C10W 10W
Vanity Mirror Lights	C5W 5W

Note: Other light sources not included in the list are LED , which cannot be replaced individually.

Bulb Replacement

Before replacing any bulb, turn off the START/STOP Switch and lighting switch and disconnect the battery negative terminal to avoid any possibility of a short circuit.

Note: MG only recommends replacement bulbs that completely meet the manufacturers specifications.

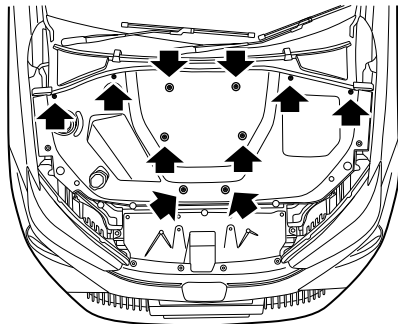
When replacing the bulb, actions shall be gentle so as not to damage the lamp or bulb. Take care NOT to touch the glass with your fingers; always wear gloves or use a cloth to handle the bulb. If the bulb glass is scratched or contaminated, it may cause the bulb can not concentrate the light. If necessary, clean the glass with methylated spirits to remove fingerprints.

Emergency Information

If in doubt, consult an MG Authorised Repairer on specific replacement operation.

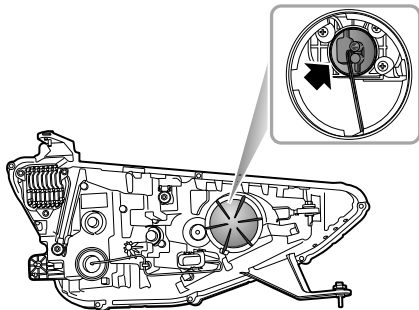
Front Direction Indicators

- 1 Open the front hatch cover, refer to 'Bonnet' in 'maintenance' chapter.
- 2 Carefully remove the 10 screws fixing the front compartment trim cover to the body and remove the front compartment trim cover by using suitable screwdriver and spanner/socket wrench.



Emergency Information

- 3 Rotate the front direction indicators bulb plug in counter-clockwise to a proper position and remove the bulb plug.



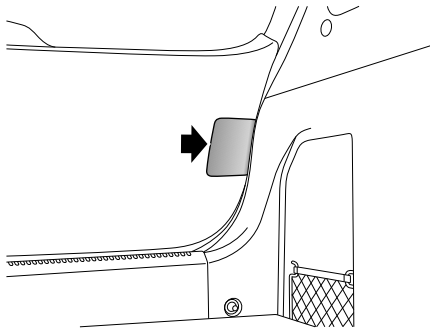
- 4 Rotate the front direction indicators bulb in counter-clockwise and remove the bulb.
- 5 Fit a new front direction indicators bulb and rotate it in clockwise to install it in place.

- 6 Fit the bulb cover, and rotate it clockwise to install it in place.
- 7 Test lamp operation.
- 8 Refit the front compartment plug.
- 9 Close the front hatch cover.

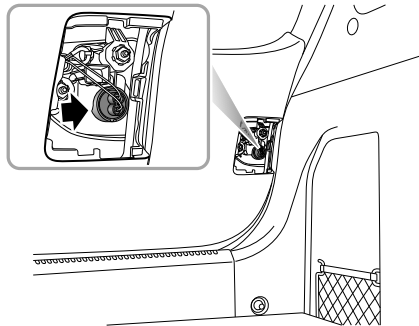
Emergency Information

Reverse Lamps

- 1 Open tailgate, refer to 'tailgate' in chapter 'anti theft system'.
- 2 Pry open the service door cover on tailgate interior trim panel.



- 3 Rotate the reverse lamp holder in counter-clockwise and remove the holder and bulb.

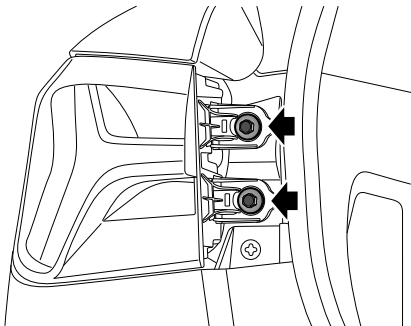


- 4 Fit a new reversing lamp bulb to the holder.
- 5 Rotate the holder clockwise and fit it on the tail lamp.
- 6 Test lamp operation.
- 7 Fit the service door cover to the tailgate trim panel.
- 8 Close the tailgate.

Emergency Information

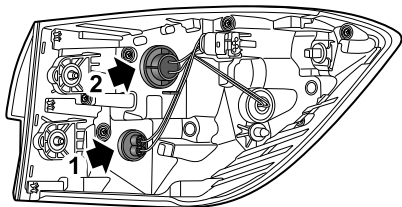
Stop Lamps & Rear Direction Indicators

- 1 Open the tailgate, refer to 'tailgate' in chapter 'anti theft system'.
- 2 Remove the bolt cover of the tail lamp assembly.
- 3 Use a suitable socket or wrench to remove 2 bolts fixing the tail lamp assembly to the body.



- 4 Release the tail lamp assembly and disconnect the connector.

- 5 Rotate counter-clockwise to remove the stop lamp holder (1) and rear direction indicator holder (2).



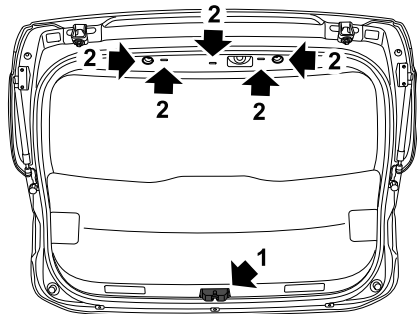
- 6 Remove the bulb from the lamp holders.
- 7 Install the new stop Lamp bulb and rear direction indicator lamp bulb onto the lamp holder respectively.
- 8 Rotate stop Lamp holder and rear direction indicator holder clockwise and install them on the tail lamp.

Emergency Information

- 9 Connect the tail lamp connector and fit the tail lamp assembly.
- 10 Fit 2 bolts fixing the tail lamp to the body, tighten them to 2.7–3.3Nm and check the torque.
- 11 Fit the bolt cover of tail lamp.
- 12 Test lamp operation.
- 13 Close the tailgate.

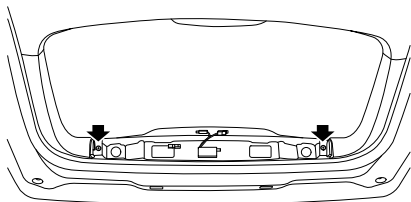
Rear License Plate Lamps

- 1 Open the tailgate, refer to 'tailgate' in chapter 'anti theft system'.
- 2 Using a suitable flat-bladed screwdriver, carefully pry off the trunk lid lock sleeve (1) and remove the sleeve.
- 3 Using a suitable plastic lever, carefully release the 5 clips (2) fixing the tail gate upper trim panel to the body and remove the tail gate upper trim panel.

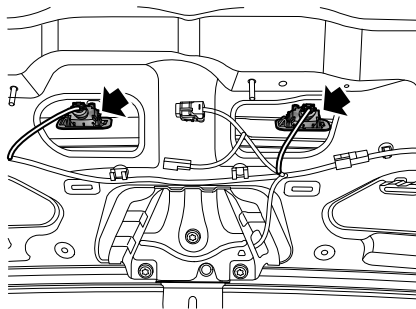


Emergency Information

- Using a suitable plastic lever, carefully release the screw cover of the tail gate lower trim panel, and remove 2 screws fixing the tail gate lower trim panel assembly to the tail gate.



- Using a suitable plastic lever, carefully release the clip, and remove the tail gate lower trim panel.
- Using a suitable plastic trim lever, release the clip fixing the rear license plate lamp assembly to the tail gate from the inside of the tail gate.



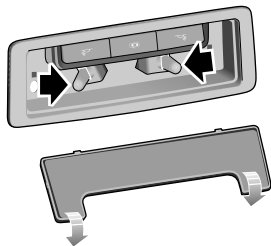
- Remove the rear license plate lamp holder from the rear license plate lamp assembly, and remove the rear license plate lamp bulb.
- Fit new bulb to bulb holder and install the holder on the rear license plate lamp assembly.
- Fix the rear license plate lamp assembly to the tail gate, and press the clip in place.

5

Emergency Information

- 10 Fix the tail gate lower trim panel to the tail gate, press the clip in place, fit and tighten 2 screws
- 11 Fit the screw cover of the tail gate lower trim panel.
- 12 Locate the tail gate upper trim panel to the tail gate, and press the clip in place.
- 13 Test lamp operation.
- 14 Close the tailgate.

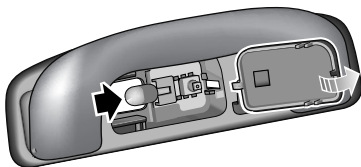
Front Interior Lamp



- 1 Gently pry the lens from the lamp assembly with flat-bladed screwdriver.
- 2 Remove the bulb from its mounting to remove.
- 3 Install new bulb.
- 4 Install the lens, locate the two prongs at the front of the lens and then carefully flex the lens to locate the two prongs at the rear of the lens into the light unit. Push the lens upwards until it 'clicks' into position.
- 5 Test lamp operation.

Emergency Information

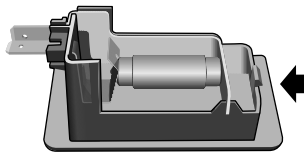
Rear Interior Lamp



- 1 Gently insert a small flat-bladed screwdriver into one side of the lens to prise the lens from the lamp assembly.
- 2 Remove the bulb from its mounting to remove.
- 3 Install new bulb.
- 4 Install the lens, locate the protruding latch at the front of the lens, then carefully flex the lens to locate the 2 prongs on both sides of the lens and finally locate the 1 prong at the rear of the lens into the lamp assembly. Push the lens upwards until it 'clicks' into position.
- 5 Test lamp operation.

Mirror Lamp

- 1 Pull the sunvisor downward to expose the vanity mirror lamp on the interior roof panel.
- 2 Insert a small flat-bladed screwdriver into the side of the lens (see arrow in illustration) and carefully press the unit from its location.



- 3 Pull the bulb from its mounting to remove.
- 4 Install new bulb.
- 5 Refit the unit, push until fully secured.
- 6 Test lamp operation.
- 7 Close the sunvisor upwards.

Maintenance

210 Maintenance

213 Bonnet

215 Front Compartment

216 Cooling System

218 Brake

220 Battery

222 High Voltage Battery Pack

225 Washer

227 Wipers

230 Tyre

236 Cleaning and Vehicle Care

Maintenance

Maintenance

Routine Servicing

The safety, reliability and performance of your car will depend partly on how well it is maintained. You must ensure that maintenance is carried out when required and according to the information contained in the "Service Schedule".

Service History

Ensure MG Authorised Repairer registers the Service History after each service.

Brake Fluid Replacement

Replace the brake fluid according to the information contained in the "Service Schedule".

Note: Brake fluid replacement will be an additional cost.

Coolant Replacement

The coolant (anti-freeze and water solution) needs to be replaced according to the information contained in the "Service Schedule".

Note: Coolant replacement will be an additional cost.

Maintenance

Owner Maintenance



Any significant or sudden drop in fluid levels, or uneven tyre wear, should be reported without delay to MG Authorised Repairer.

In addition to the routine services referred to previously, a number of simple checks must be carried out more frequently. Advice is given on the pages that follow.

Daily Check

- Operation of lights, horn, wipers, washers and warning lamps.
- Operation of seat belts and brakes.
- Look for fluid deposits underneath the car that might indicate a leak.
- Check tyre appearance.

Weekly Check

- Coolant levels.
- Brake fluid level.
- Windscreen washer fluid level.
- Operate air conditioning.

Special Operating Conditions

If your car is frequently used in dusty conditions, or operated in extreme climates where sub-zero or very high ambient temperatures are normal, more frequent attention may need to be paid to servicing requirements. You need to carry out special maintenance operations (refer to Service Schedule) or contact MG Authorised Repairer.

Safety in the Garage



Cooling fans may commence operating after the vehicle is switched off, and continue operating for a number of minutes. Keep clear of all fans while working in the front motor compartment

If you need to carry out maintenance, observe the following safety precautions at all times:

- If the car has been driven recently, **DO NOT TOUCH** cooling system components until the drive motor has been fully cooled down.
- **DO NOT TOUCH** electrical leads or components when the START/STOP Switch is on.

Maintenance

- DO NOT work underneath the car with a wheel changing jack as the only means of support.
- Wear protective clothing and work gloves.
- Remove watches and jewelry before working in the front compartment.
- DO NOT allow tools or metal parts of the car to make contact with the battery leads or terminals.

Toxic Liquid

Fluids used in motor vehicles are poisonous and should not be consumed or brought into contact with open wounds. These include: battery acid, coolant, brake fluid and windscreen washer fluid.

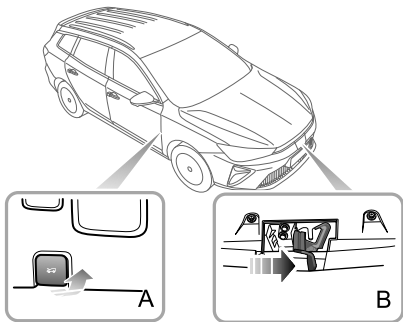
For your own safety, ALWAYS read and obey all instructions printed on labels and containers.

Bonnet

Opening the Bonnet



DO NOT drive when the bonnet is open or retained only by the safety catch.



- 1 Pull the bonnet release handle A from the inside of the car.
- 2 Push the lever B mounted on the bonnet slam platform in the direction of the arrow to release the bonnet safety catch.
- 3 Raise the bonnet and hold it up with the support rod firmly.

Closing the Bonnet

Support the bonnet by one hand, release the support rod using the other hand, and place it firmly into the support rod base. Then hold the bonnet using both hands and lower it, allowing it to drop for the last 20cm ~ 30 cm to fully close the bonnet.

By attempting to lift the front edge of the bonnet, check if the lock is fully engaged after closing the bonnet. If it is not fully engaged, you must repeat the operation.

Bonnet Open Alarm

If the bonnet is not fully engaged, when the START/STOP switch is in ON/READY position, the corresponding alarm icon will be displayed in the message centre, and the icon

Maintenance

flashes. If it is detected that the bonnet is not fully engaged while driving, an audible warning will sound continuously.

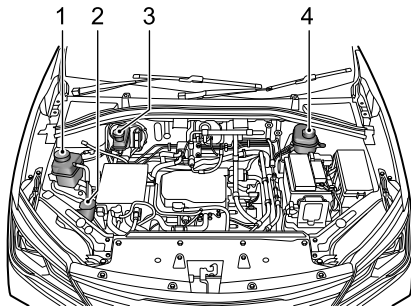
IMPORTANT

- For safety reasons, the bonnet should be closed well when driving. Therefore you must check after closing the bonnet that the bonnet is securely latched, e.g. the bonnet edge is flush with the body of the car.
- You should stop the car immediately when safety permits and close the bonnet if it is not closed fully when driving.
- Beware of injury to hands while fully closing the bonnet with a downward force.

Front Compartment



While working in the front compartment, always observe the safety precautions listed under 'Safety in the Garage', refer to 'Maintenance' in 'Maintenance' section.



- 1 Electric drive transmission coolant expansion tank (black cap)
- 2 Washer fluid reservoir (blue cap)
- 3 Brake fluid reservoir (black cap)
- 4 Battery coolant expansion tank (black cap)

Maintenance

Cooling System



DO NOT remove the coolant expansion tank cap when the cooling system is hot - escaping steam or hot coolant could cause serious injury.

Note: Prevent coolant coming into contact with the vehicle body when topping up. Coolant will damage paint.

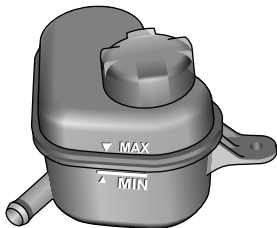
If the coolant level falls appreciably during a short period, and you suspect that there may be a leak, please seek an MG Authorised Repairer for service.

Coolant Check and Top Up - EDS



The cooling system should be checked weekly when the cooling system is cold and with the car resting on level ground. If the coolant level is below the "MIN" mark, open the coolant expansion tank cap and top up coolant. The coolant level should not be higher than the "MAX" mark.

Coolant Check and Top Up - ESS



The cooling system should be checked weekly when the cooling system is cold and with the car resting on level ground. If the coolant level is below the "MIN" mark, open the coolant expansion tank cap and top up coolant. The coolant level should not be higher than the "MAX" mark.

Coolant Specification



Coolant is poisonous and can be fatal if swallowed - keep coolant containers sealed and out of the reach of children. If accidental contact of coolant by children is suspected, seek medical assistance immediately.



Prevent the coolant coming into contact with the skin or eyes. If this occurs, rinse immediately with plenty of water. If eyes are still red, painful or uncomfortable, seek medical attention immediately.

Please use the coolant which is recommended and certified. Please refer to 'Recommended Fluids and Capacities' in "Technical Data" chapter.

Note: *The addition of corrosion inhibitors or other additives to the cooling system of this car may severely disrupt the efficiency of the system and cause parts damage. For cooling system issues please consult an MG Authorised Repairer.*

Maintenance

Brake



DO NOT rest your foot on the brake pedal while driving, which may overheat the brake system, thus reduce brake efficiency and cause excessive wear.

The free displacement of the brake pedal is 0 ~ 30 mm.

Wear rates for brake pads and discs may vary. The recommended minimum thickness of brake pads is 2 mm. The recommended thickness of front brake discs is 23 ~ 25 mm and the recommended minimum thickness of rear brake discs is 17 ~ 19 mm.

For the first 1500 km, you should avoid situations where heavy braking is required.

Please regularly check the wear condition of all components of the brake system within the time interval prescribed in Service Portfolio and replace them if necessary to ensure the long-term safety and optimum performance .

The vehicle needs to run in for 800 km after replacing brake pads or discs.

Brake Fluid Check and Top Up



Brake fluid is highly toxic, keep containers sealed and out of the reach of children. If accidental contact of brake fluid is suspected, seek medical attention immediately.



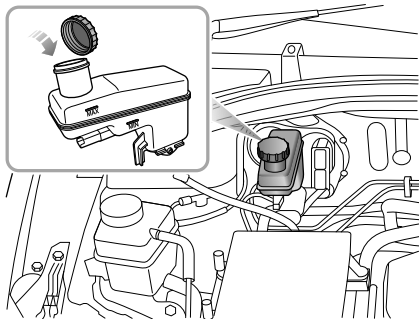
Prevent brake fluid coming into contact with the skin or eyes. If this occurs, rinse immediately with plenty of water. If eyes are still red, painful or uncomfortable, seek medical attention immediately.

The brake fluid level should be checked weekly when the system is cold and with the vehicle on level ground.

The fluid level can be seen through the reservoir and should be maintained between 'MAX' and 'MIN' mark.

Note: Do not allow the fluid level to drop below 'MIN' mark or rise above 'MAX' mark.

Maintenance



Brake Fluid Specification

Use the brake fluid recommended and certified by the manufacturer. Refer to 'Recommended Fluids and Capacities' in 'Technical Data' chapter.

IMPORTANT

Replace brake fluid regularly according to the Service Portfolio.

Note: Brake fluid can damage painted surfaces. If you accidentally spill the brake fluid on the painted surface, soak up any spillage with an absorbent cloth immediately and wash the area with water or car shampoo.

Maintenance

Battery

Battery Maintenance



DO NOT use on-board electrical appliances for an extended period of time when the vehicle is not in **READY** mode, otherwise the battery may become flat, resulting in the failure to start the vehicle and the reduction of battery life.



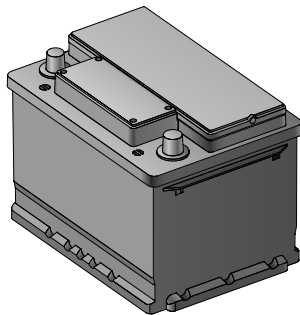
Always store batteries upright, and never attempt to dismantle a battery.

The battery, located in the front compartment, is maintenance-free, therefore there is no need to refill fluid.

According to current load conditions and battery status, the system may limit the power to some electrical appliances, therefore, please place the vehicle in **READY** mode to charge the battery immediately.

Note: It is recommended to set the power mode to **READY** for more than half an hour every week to help extend the service life of the battery. When the vehicle will not be used for more than 1 month, it

is recommended to disconnect the battery negative terminal clamping pile head. Make sure that the **START/STOP** Switch has been turned off before connecting or disconnecting the negative terminal.



Battery Replacement



The battery contains sulphuric acid, which is corrosive.

Maintenance

Please go to a local MG Authorised Repairer to remove and refit the battery. In order to maintain the correct vehicle functionality, it is recommended to fit a replacement battery of the same type and specification as the original.



The battery must be disposed of using an approved method, used batteries can be harmful to the environment. It should be recycled by a professional company. Please consult a local MG Authorised Repairer for more details.

High Voltage Battery Pack

Precautions and restricted conditions for use of battery



When using the vehicle on a daily basis, it is recommended to fully charge it at least once a week, which is conducive to the health maintenance of the high-voltage battery pack; every 3 months to half a year, a low-power (less than 10% or 1 grid) full charged is performed.



If the vehicle is not going to be used, parked, or stored for a long time it is necessary to charge the vehicle at least once every 3 months. During this time, the High Voltage battery state of charge should be above 50% or 4 grids after charging.



*If the battery is in a low state of charge and the instrument pack displays no effective driving range, in this case the vehicle **MUST NOT** be left in a stored state for more than 7 days.*



Failure to follow these guidelines will result in HV battery damage and invalidate the warranty.



***DO NOT** attempt to dismantle the battery pack or any High Voltage components - **THESE ARE DANGEROUS.** Any signs of dismantling or damage caused by attempts to dismantle will invalidate the warranty.*



When using a paint curing oven please observe the following:

Before and after any paint baking process, the vehicle should be parked at room temperature (20 ± 2 °C) for 24 hours. The vehicle can be used normally after being parked for 24 hours. The baking oven temperature should not exceed 80 °C and the baking time should not be longer than 30 minutes.

- 1 DO NOT park the vehicle in conditions where the ambient temperature exceeds 45°C for more than 15 days. This will effect the performance and service life of the high voltage battery.
- 2 To maintain or improve the service life of the high voltage battery, it is recommended that you use a slow charging method wherever possible, rapid charging should only be used for long distance journeys or emergencies.
- 3 It is recommended using the vehicle at least once a month.

Where possible it is recommended that you carry out a slow charging (equalisation charging) every month to extend the service life of high-voltage battery pack. The battery management system will monitor the status of the high- voltage battery pack; after monitoring for a period of time, if an equalising charge has not been carried out for some time the message centre in the instrument pack will display 'Please Charge for BMS Balance'. At this time you must carry out an equalising charge. For operation mode, please refer to 'Equalisation Charging' in 'Starting & Driving' section.

- 4 When the vehicle is used for the first time or after a long period of storage, the SOC displayed on the instrument may have deviation. A fully charge is recommended before use.
- 5 In the event of an accident, damage to the high voltage battery or any of its related components, or any repairs made to the high voltage system the car must be inspected by qualified personel at an MG Authorised Repairer.

Maintenance

- 6 In the event of any accident or body repairs being required please consult the qualified personnel at an MG Authorised Repairer. The repair may require high voltage battery isolation or specialist HV component removal.

IMPORTANT

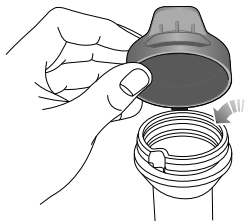
Only fully trained and qualified personnel are allowed to work on the high voltage systems and components of this vehicle. Any disassembly of such systems or components is strictly prohibited.

Washer

Windscreen Washer Fluid Check and Top Up



When filling the washer fluid, DO NOT let the washer fluid spill on the paint surface of vehicle body. In case the washer fluid is spilled on hands or other parts of the body, please immediately wash with clean water.



Check the washer fluid level every week. When the level of washer fluid is low, please top up the washer fluid as instructed.

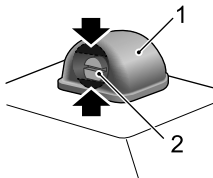
Note: DO NOT use an anti-freeze or vinegar/water solution in the washer reservoir - anti-freeze will damage paintwork while vinegar will damage the washer pump.

IMPORTANT

- Use the washer fluid recommended and certified by the manufacturer. Misuse of washer fluid in winter may cause damage to the washer motor due to freezing.
- Using the washer switch when there is no washer fluid may cause damage to the washer motor.
- Operating the wipers when the windscreen is dry and there is no washer fluid may cause damage to the windscreen and wipers. Please spray the washer fluid and start the wipers when there is adequate washer fluid.

Maintenance

Washer Nozzles



Operate the washers periodically to check that the nozzles are clear and properly directed.

The windscreen washer nozzles are configured during the production, so generally there is no need for adjustments. To adjust the windscreen washer nozzle, you can insert a small flat-bladed screwdriver in the upper and bottom gaps (as indicated by the arrow) between the housing (1) and the nozzle (2) and turn downward or upward slightly to adjust to appropriate injection angle.

If the nozzle is obstructed, insert a needle or thin metal wire into the hole to remove the obstruction.

Washer Fluid Specification

Use the washer fluid recommended and certified by the manufacturer. Refer to "Recommended Fluids and Capacities" in the "Technical Data" section.

Wipers

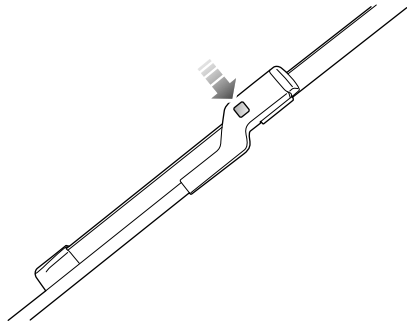
Wiper Blades

IMPORTANT

- Grease, silicon and petroleum products impair the blade's wiping capability. Clean the wiper blades in warm soap water, and check their status periodically.
- Clean the windscreen frequently. **DO NOT** use wipers to remove stubborn or ingrained dirt, it will reduce their effect and their life span.
- If signs of hardness or cracking in the rubber are found, or if the wipers leave streaks or unwiped areas on the screen, then the wiper blades should be replaced.
- Clean the windscreen regularly with an approved glass cleaner and ensure the windscreen is thoroughly cleaned before fitting replacement wiper blades.
- Only fit replacement wiper blades that are identical to the original specification.
- Clean ice and snow from the wipers and ensure they are not frozen or otherwise sticking to the windscreen before attempting to operate them.

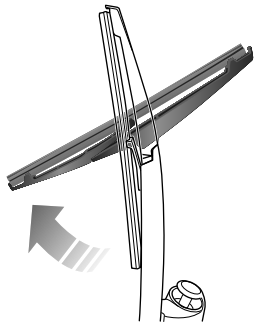
Maintenance

Replacing Front Wiper Blades



- 1 With the bonnet in closed state, and the Start/Stop switch in OFF position for up to 20 seconds, press down the wiper stalk switch to Single Wipe position (see 'Wipers and Washers' in 'Instruments and Controls' section) and release, the wiper will automatically move to service position, and stop on the windscreen.
- 2 Lift the wiper arm away from the windscreen.
- 3 Rotate the wiper blade to make it nearly perpendicular to the wiper arm. Loosen the exposed clips to both sides as arrowed and pivot the blade away from the U joint of the wiper arm backward.
- 4 Unhook the blade from the wiper arm and discard.
- 5 Locate the U joint of the wiper arm in the slot of the new wiper blade and ensure it is fully engaged.
- 6 Pivot the wiper blade towards the arm until the locating tags engage and are flush with the arm.
- 7 Check whether the wiper blade is fitted correctly to the arm before positioning on the windscreen.
- 8 Press down the wiper stalk switch again to Single Wipe position and release, or turn on the Start/Stop switch, the wiper will exit the service mode and automatically return to its original position.

Replacing Rear Wiper Blade



- 1 Lift the wiper arm away from the rear window.
- 2 Rotate the wiper blade as shown in the figure, to remove it from the wiper arm and discard.
- 3 Put the fitting of the new wiper blade into the slot of the wiper arm. Ensure the wiper blade is properly secured on the wiper arm.
- 4 Place the wiper assembly back on the rear window.

Tyre

Overview

- Take extra care when using new tyres for the first 500km.
- Avoid excessive cornering at speed.
- Slow down when passing through road shoulder or a similar section, and allow the wheels to go through the shoulder at the right angle as far as possible.
- Regularly check the damage of tyres (stabs, scratches, cracks and pits) and remove any foreign objects from the tread.
- Prevent the tyre from contacting oil, grease and fuel.
- Ensure valve caps are always fitted.
- If the tyre is to be removed always mark the tyre/wheel orientation to ensure correct reinstallation.
- The wheels or tyres that have been disassembled should be kept in a cool, dry and light-free place.

New Tyres

New tyres may not have the same adhesion properties of the old tyres, please run in at moderate speed in

appropriately careful driving style for the first 500km. This action could benefit tyre life.

The damage of tyre or rim may happen unnoticed. If abnormal vibration or handling is experienced, that means the tyre or rim may have been damaged. Please slow down and park your vehicle in absolute safety, then check the tyre and rim. If you can't see the damage from the outside you should continue to drive with low speed and go to the nearest MG Authorised Repairer for inspection.

Directional Tyres

Directional tyres are marked with 'direction of rotation' (DOR). To maintain handling characteristics, tyre performance, low road noise and extend tyre life, tyres must always be fitted with indication arrow showing the correct 'DOR'.

Tyre Life

Correct tyre pressures and moderate driving style can extend tyre life. Recommendations:

- If the vehicle is to be stored for a lengthy time, please move your vehicle at least once in two weeks to 'rotate the tyres'.

Maintenance

- Tyre pressures should be checked monthly when the tyres are cold.
- Avoid cornering at excessive speeds.
- Regularly check tyres for abnormal wear patterns.

The following factors affect the tyre life:

Tyre Pressures

Incorrect tyre pressures can result in poor driving characteristics and a shortened tyre life due to abnormal wear.

Driving Style

Excessively harsh acceleration and braking (tyres send out harsh noise) whilst cornering will reduce tyre life.

Wheel Balance

Every new vehicle leaves the factory having had the wheels dynamically balanced. Out of balance wheels may be due to many factors.

If wheels are out of balance, shaking or vibration of the steering mechanism may occur and the tyres may start to wear excessively. It is important to restore wheel balance

as quick as possible. Each wheel should be rebalanced after installing a new tyre or having a tyre repair.

Wheel Alignment

Incorrect wheel alignment can cause excessive tyre wear and affect vehicle safety. If the tyres show signs of abnormal wear, check the wheel alignment and seek advice from an MG Authorised Repairer.

Maintenance

Caring for Your Tyres



DEFECTIVE TYRES ARE DANGEROUS!
DO NOT drive if any tyre is damaged, is excessively worn, or is inflated to an incorrect pressure.

Always drive with consideration for the condition of the tyres, and regularly inspect the tread and side walls for any sign of distortion (bulges), cuts or wear.

Note: Avoid tyre contact with oils, grease and fuel.

Tyre Pressures



Before a long distance journey, the tyre pressure must be checked.

Check the pressures at least every month, when the tyres are cold.

If it is necessary to check the tyres when they are warm, you should expect the pressures to have increased by 0.3 ~ 0.4bar(4.35 ~ 5.8psi). In this circumstance, NEVER let air out of the tyres in order to match the recommended pressures (cold).

Valves

Keep the valve caps screwed down firmly - they prevent dirt from entering the valve. Check the valve for leaks (listen for a tell-tale hissing) when you check the tyre pressure.

Punctured Tyres

Your vehicle is fitted with tyres which may not leak if penetrated by a sharp object, provided the object remains in the tyre. If you are aware of this occurring, reduce speed immediately and drive with caution until the spare wheel can be fitted, or repairs undertaken.

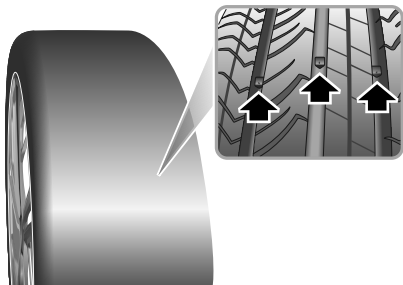
Note: If the sidewall of the tyre is damaged or distorted, replace the tyre immediately, do not attempt a repair.

Tyre Wear Indicators

The original tyre treads have a 1.6 millimeter high wear mark indicator that is perpendicular to the wheel rolling direction. These indicators are moulded into the tread pattern at several points around the circumference. A mark on the side of a tyre, such as upper case lettering TWI or a triangle indicate the position of the wear mark.

Maintenance

When the tread has worn down to 1.6mm or below, the indicators will come to the surface of the tread pattern, producing the effect of a continuous band of rubber across the width of the tyre.



IMPORTANT

A tyre **MUST** be replaced as soon as a wear indicator becomes visible.

Replacement of Tyres



When replacing tyres it is strongly recommended that the new tyres are of the same specification as the original tyres. Alternative tyres, of a different specification, or unqualified tyres may adversely affect the car's driving characteristics and safety. In order to maintain comfort and safety it is recommended to seek advice from an MG Authorised Repairer.

Always have replacement wheels and tyres balanced before use.

Wheel Fitment Rotation

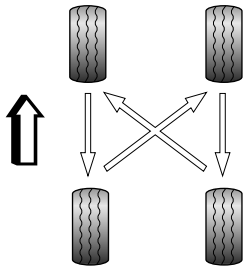
In order to balance tyre wear, it may benefit from rotating tyre position.

When the front tyres are worn seriously, it is recommended to exchange the front and rear wheels as shown in illustration. This can prevent tyres from uneven wear, prolong the life span and balance tyre fatigue.

Maintenance

When a certain wear appears on the tyre surface, it is favorable to exchange the tyres across.

self-learning after the wheel rotation, please consult the MG Authorised Repairer for details.



Note: Directional tyres (identified from the arrow on the tyre side) **CANNOT** be swapped from side to side.

Note: After the wheel rotation, some vehicles need to run at a speed of 40km/h for about 10 minutes to correctly indicate the tyre pressure value at the corresponding position. Some vehicles need a TPMS

Tyre/Snow Chains

Unsuitable tyre/snow chains may damage the tyres, wheels, suspension, brakes or bodywork of your car.

Please pay attention to the following requirements in the usage:

- The tyre/snow chains can only be fitted on the front wheels;
- The thickness of tyre/snow chains shall not exceed 12 mm;
- Please always observe the installation and tension instructions for the tyre/snow chains, as well as the speed limitations of different roads;
- Do not drive faster than 50km/h;
- To avoid the tyre damage and excessive wear of the tyre/snow chains, the tyre/snow chains must be removed while driving on the road without snow.

For this vehicle, the specifications of wheels and tyres which can apply the tyre/snow chains are as follows:

Wheel rim size: 6.5J×16

Tyre size: 205/60 R16

Note: If you drive on snow covered and icy roads, it is recommended to use winter tyres. Consult an MG Authorised Repairer for details.

Cleaning and Vehicle Care



Observe all safety precautions on cleaning products; do not drink fluids and keep them away from the eyes.

External Car

Washing Your Car



Some high pressure cleaning systems will penetrate door, window, and damage lock mechanisms. DO NOT aim water jets directly at components that might be easily damaged.



Do not clean the front compartment with high pressure water since it may damage the electrical system of the vehicle.

In order to preserve the paint finish on your car, please observe the following care points:

- DO NOT use hot water to wash the car.
- DO NOT use detergents or washing up liquid.
- In hot weather, DO NOT wash the car in direct sunlight.

- When using a hose, DO NOT aim the water directly at window, door, or through wheel apertures onto the brake components.

If the car is particularly dirty, use a hose to flush grime and grit from the bodywork, prior to washing. Then, wash the car using cold or lukewarm water containing a good quality wash and wax shampoo. Always use plenty of water to ensure that grit is flushed from the surface and not ground into the paintwork. After washing, rinse the bodywork with clean water and dry off with a chamois leather.

Cleaning the underside

Note: *DO NOT use a high pressure hose to clean the front compartment – damage to the car's electronic systems may occur.*

From time to time, but particularly during winter months when salt has been used on the roads, use a hose to wash the underside of the car. Flush away accumulations of mud and thoroughly clean those areas where debris can easily collect (wheel arches and panel seams, for example).

Maintenance

IMPORTANT

- Avoid cleaning the vehicle in direct sunlight.
- When cleaning the vehicle in winter avoid spraying water directly onto door locks and panel gaps due to risk of icing.
- Do not use rough sponges or cloth to clean the car, this will damage the paintwork finish.
- When cleaning the headlamps do not use a dry cloth or sponge, use only warm soapy water.

Cleaning with a High Pressure Cleaner

Note: Always read the manufacturers operating instructions.

When using high pressure washers, always ensure there is adequate distance between the spray nozzle and any soft materials, decals or rubber seals.

IMPORTANT

- Please pay attention to the operating instructions of high pressure cleaner.
- Soft parts on the vehicle should be kept in a large enough distance from the high pressure cleaner.

Removing tar spots

Use white spirit to remove tar spots and stubborn grease stains from the paintwork. Then wash the area immediately with soapy water to remove all traces of the spirit.

Body Protection

After washing, examine the paintwork for damage. If the damage has revealed bare metal, use a colored primer first, then apply the correct colour base coat and finish off with a lacquer pencil, if appropriate. Carry out this treatment after washing but before polishing or waxing. More extensive damage to paint or bodywork must be repaired in accordance with the manufacturer's recommendations. Failure to do this will invalidate the Anti-Corrosion Warranty. If in doubt, ask your MG Authorised Repairer.

Maintenance

Polishing the Paintwork



DO NOT use car polish containing coarse abrasives – these will remove the paint film and damage the gloss finish.

Occasionally treat the paint surface with an approved polish containing the following properties:

- Very mild abrasives to remove surface contamination without removing or damaging the paint.
- Filling compounds that will fill scratches and reduce their visibility.
- Wax to provide a protective coating between the paint and the elements.

Note: If possible, avoid applying polish or wax products to window glass and rubber seals.

Wiper Blades

Wash in warm soapy water. DO NOT use spirit or petrol based cleaners.

Windows and Mirrors

Regularly clean all windows, inside and out, using an approved glass cleaner.

Windscreen:In particular, clean the outside of the screen with glass cleaner after washing the car with wash and wax products, and before fitting new wiper blades.

Rear screen:Clean the inside with a soft cloth, using a side to side motion to avoid damaging the heating elements.

Note: DO NOT scrape or use abrasive cleaners on the inside of the rear screen – this will damage the heating elements.

Mirrors:Wash with soapy water. Use a plastic scraper to remove ice. DO NOT use abrasive cleaning compounds or metal scraper.

Plastic Components

Any plastic components should be cleaned using conventional cleaning methods and not be treated with abrasive materials.

Maintenance

Paint Damage

Any paint damage or stonechips should be treated with suitable paint/lacquer materials immediately to avoid invalidating the Anti Corrosion Warranty.

Weather Strips and Rubber Seals

Any weather strips or rubber aperture seals should be treated with suitable materials (silica gel) if they are cleaned using strong detergents, this should avoid any sticking and maintain the service life of the seal.

Wheels



When cleaning the wheels any materials or water that contact the brake disc directly may effect braking efficiency.

In order to ensure the wheels are kept in optimum condition they should be cleaned regularly.

Only use a recommended non-acidic propriety wheel cleaner. Always read the instructions on the product.

Cleaning the Interior

Plastic materials

Clean plastic-faced materials with diluted upholstery cleaner, then wipe with a damp cloth.

Note: DO NOT polish dashboard components – these should remain non-reflective.

Carpet and fabrics

Clean with diluted upholstery cleaner - test a concealed area first.

Leather

Clean leather trim with warm water and a non-detergent soap. Dry and polish the leather with a dry, clean, lint-free cloth.

Note: DO NOT use petrol, detergents, furniture creams or polishes as cleaning agents.

Instrument Pack, Audio and Navigation Display

Clean with a dry cloth only. DO NOT use cleaning fluids or sprays.

Airbag Module Covers



DO NOT allow these areas to be flooded with liquid and DO NOT use petrol, detergent, furniture cream or polishes.

To protect damage to the airbag SRS, the following areas should be cleaned sparingly with a damp cloth and upholstery cleaner **ONLY**:

- Steering wheel centre pad.
- Area of dashboard containing the passenger airbag.
- Area of roof lining and front pillar finishers which enclose the side head impact protection modules.

Seat Belts



DO NOT use bleaches, dyes or cleaning solvents on seat belts.

Extend the belts, then use warm water and a non-detergent soap to clean. Allow the belts to dry naturally; **DO NOT** retract them or use the car until they are completely dry.

Technical Data

242 *Technical Data Dimensions*

244 *Weights*

245 *Dynamic Performance Parameters*

246 *Parameters of Traction Motor*

247 *Recommended Fluids and
Capacities*

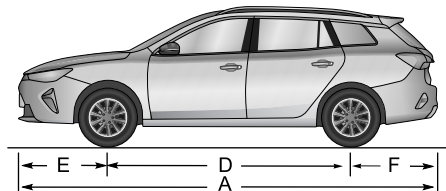
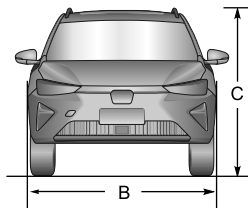
248 *Four-Wheel Alignment Parameter
Table (Unladen)*

248 *Wheels and Tyres*

248 *Tyre Pressure (Cold)*

Technical Data

Technical Data Dimensions



Item, Units	Parameter
Overall length A, mm	4600
Overall width B, mm	1818
Overall height C (unladen), mm	1521(body height) 1543(with roof rack)
Wheelbase D , mm	2665
Front overhang E, mm	985

Technical Data

Item, Units	Parameter
Rear overhang F, mm	950
Front wheel track, mm	1558
Rear wheel track, mm	1553
Minimum ground clearance (laden), mm	115.3

Note: *Vehicle length not including the license plate.*

Note: *Rearview mirrors and the deformed portion of tyre wall directly above the touchdown point are not included in the total width.*

Technical Data

Weights

Item, Units	Parameter
Person in cab, person	5
Unladen vehicle weight (kerb), kg	1570
Gross vehicle weight, kg	2038
Unladen front axle weight, kg	897
Unladen rear axle weight, kg	673
Laden front axle weight, kg	999
Laden rear axle weight, kg	1039

Technical Data

Dynamic Performance Parameters

Item, units	Parameter
Acceleration, s (0 ~ 100) km/h	8.8
Maximum speed, km/h	185
Gradeability, %	30%

Note: *The dynamic performance parameters are test data under specific conditions.*

Note: *Gradeability is affected by different road surfaces, tyre pressures, tyre tread depth and vehicle load.*

Technical Data

Parameters of Traction Motor

Item	Parameter Values
Traction motor type	Three-phase permanent magnet synchronous motor
Continuous Power/Peak Power, kW	75/130
Peak Torque, Nm	280
Maximum Speed, rpm	15000
Waterproof Grade	IP67

Technical Data

Recommended Fluids and Capacities

Name	Grade	Capacity
High-voltage battery pack coolant, L	Glycol (OAT)	4.8
Electric drive transmission coolant, L		4.0
Electric drive transmission oil, L	Shell E-Fluids E6 iX (SL2808)	0.9
Brake fluid, L	DOT 4	0.8
Screenwasher detergent, L	Purified water	2.5
Air conditioning refrigerant, g	R-134a	600±20

Technical Data

Four-Wheel Alignment Parameter Table (Unladen)

Item		Parameter
Front	Camber	-15'±45'
	Castor	5°05'±45'
	Toe-in (Total)	6'±15'
		1.1±2.8mm
	Kingpin Inclination	12°56'±45'
Rear	Camber	-1°13'±45'
	Toe-in (Total)	6'±20'
		1.1±3.8mm

Tyre Pressure (Cold)

Wheel	Unladen
Front Wheels	220kPa/2.2bar/32psi
Rear Wheels	220kPa/2.2bar/32psi

Wheels and Tyres

Wheel size	6.5J×16	7.0J×17
Tyre size	205/60 R16	215/50 R17